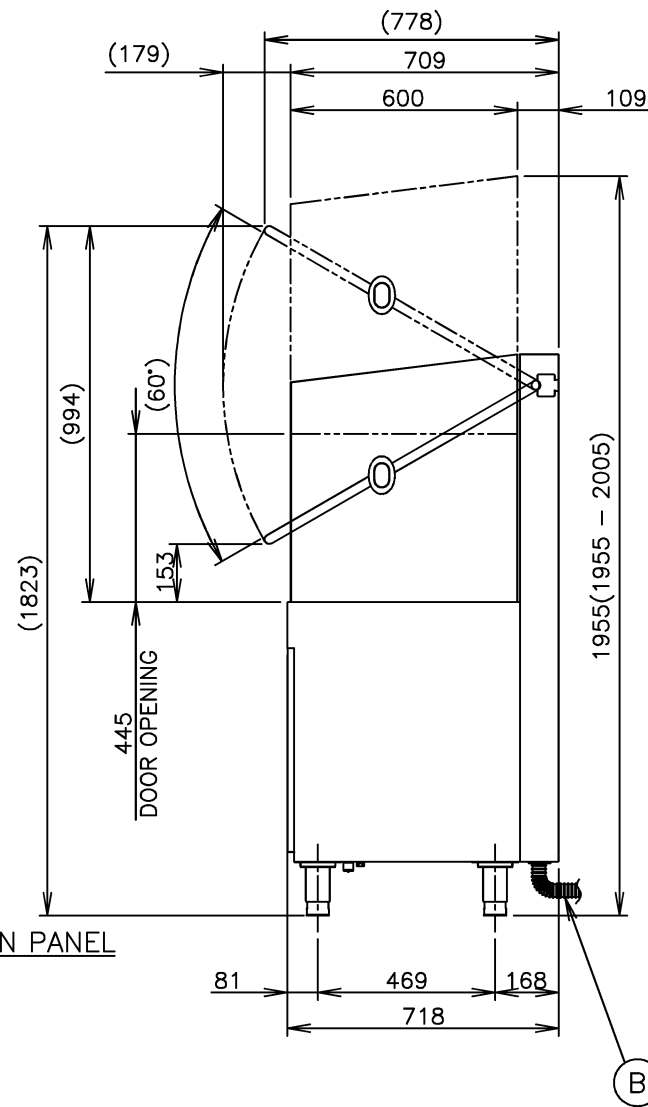
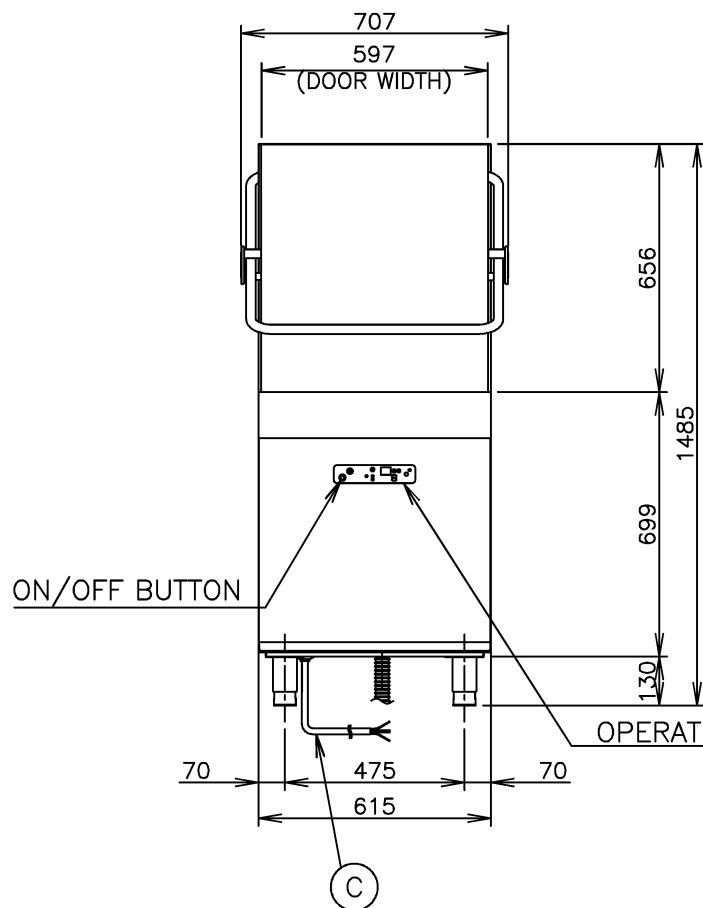
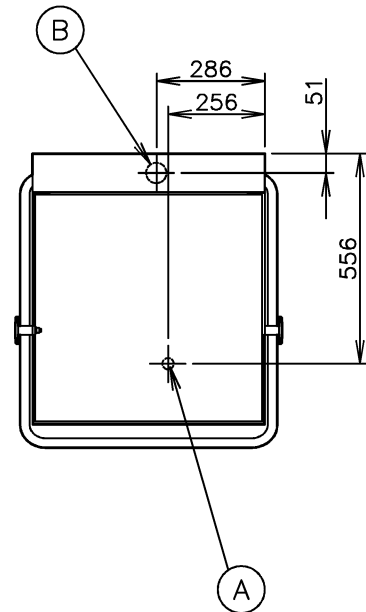


NO	CONNECTION	SPECIFICATION
A	DISHWASHER WATER SUPPLY	G3/4
B	WASH TANK DRAIN	Drain Hose 45mm DIA x 39mm DIA 2000mm long outside
C	POWER CORD	2800mm long outside (with Earth Wire, No Plug)

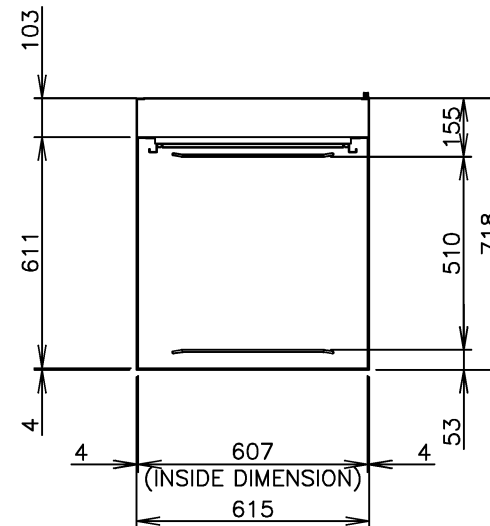
OPERATING CONDITIONS	Ambient Temperature: 5 - 35°C Relative Humidity: Max 85%
	Voltage Range: Rated Voltage ±6% Water Supply Pressure: 0.1 - 0.6MPa
	Water Supply Temperature: Upper Limit 50°C Max Water Hardness: 100 mg/L

- *We reserve the right to make changes in specifications and design without prior notice.
1. Install the product properly in accordance with the instructions on location, water supply/drain connections and electrical connections stated in the instruction and installation manuals provided. Allow 10mm extra space at the installation site to meet any installation requirements (additional spacing is also required for proper air flow and water connections).
 2. When the optional inlet hose is used, the water supply temperature must be 25°C or less.
 3. Product code: J030

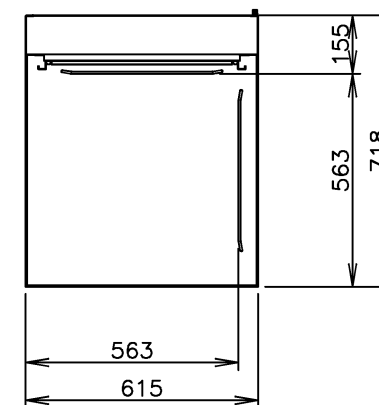
ITEM	Hoshizaki Dishwasher	
TYPE	HW-600A	
	Wash Tank Side	Booster Tank Side
POWER SUPPLY	3 Phase 4-wire 380V 50Hz Capacity: 23.1kVA (35.0A)	
AMPERAGE	Max Running: 33.0A Rated Motor: 4.0A Starting: 15.1A	
ELECTRIC CONSUMPTION	Motor : 850W (Power Factor: 96%) Rated Heater: 15.0kW Max Electric Consumption: 15.9kW	
HEATER	3.0kW	12.0kW
POWER CORD	2.8m (with Earth Wire, No Plug)	
OUTSIDE DIMENSIONS	615mm (W) x 718mm (D) x 1485 (1485-1535) mm (H)	
EXTERIOR	Stainless Steel	
INSULATION	N/A	
INSULATION FOAM BLOWING AGENT	N/A	
DOOR	Vertical Sliding Door (opening height 445mm)	
RACK SIZE	500 x 500mm	
NUMBER OF LARGE DISHES/RACK	16 large dishes (230mm DIA)	
CYCLE TIME	60s (Wash 48s, Dwell 5s, Rinse 6s, Dwell 1s)	
WATER CONSUMPTION	Rinse Water per Cycle: Approx. 2.0L	
WASH SYSTEM	Upper and Lower Rotary Arms (Triple Arm)	
RINSE SYSTEM	Upper and Lower Rotary Arms	
PUMP	Wash: 710W Rinse: 100W	
DRAIN SYSTEM	Removal of Overflow Pipe, Natural Overflow Drain	
START	Door Switch (start switch mode also available)	
DRY SYSTEM	Residual Heat Drying	
REFUSE DISPOSAL	Filter Collection	
DETERGENT	Not Provided	
DISPLAY	Ready, Auto Fill, Standard, Long, Rinse Wash Temp/Rinse Temp (selectable by switch), Error Code	
TANK CAPACITY	Approx. 24L	Approx. 10.9L
HOT WATER SUPPLY	Automatic Supply by Microprocessor Control	Automatic Supply by Water Valve
TEMPERATURE CONTROL	Thermistor (Water Temp: Approx. 60°C)	Thermistor (Water Temp: Approx. 85°C)
CONNECTIONS	Drain: Drain hose Water Supply: G3/4	
WASH CYCLE TIME	Standard: Adjustable 1-99s (in 1s steps) Long: Adjustable 10-990s (in 10s steps)	Microprocessor Controlled
RINSE CYCLE TIME	Adjustable 5-12s (in 1s steps)	
END-OF-CYCLE BUZZER	Adjustable 0 (Mute) - Max	
BOIL-DRY PROTECTION	Pressure Switch Thermistor (Auto-reset)	Pressure Switch Thermistor (Auto-reset)
SAFETY SYSTEM	Door Switch, Emergency Stop by Microprocessor Control	
LEG	Stainless Steel, Adjustable 130 - 180mm	
WEIGHT	105kg (Gross 116kg)	
PACKAGE	Crate 725mm (W) x 795mm (D) x 1638mm (H)	
ACCESSORIES	Maintenance sheet	
OPTIONAL PARTS	Inlet Hose, Injector (Detergent Feeder Fitting), Remote Kit	



RACK SUPPORT FRAME LAYOUT
STRAIGHT INSTALLATION



RACK SUPPORT FRAME LAYOUT
CORNER INSTALLATION



HOSHIZAKI DISHWASHER HW-600A

APPROVED KOBAYASHI	CHECKED TAMEISHI	DESIGNED TOMOTSUKA	DRAWN OHASHI	SCALE 1/20	TRIGONOMETRY
TAMEISHI	TOMOTSUKA	2021.01.29	DATE 2019.03.12	DRAWING NO. D24457	SYMBOL 5
APPROVED	DESIGNED	SYMBOL	DATE		