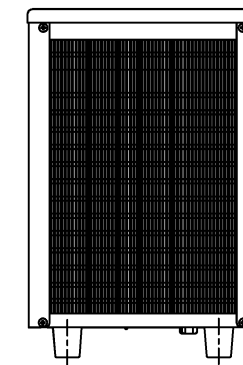
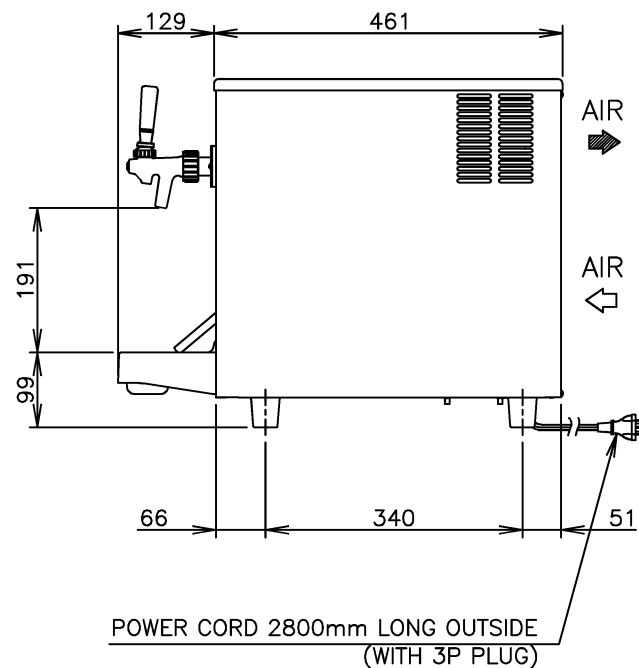
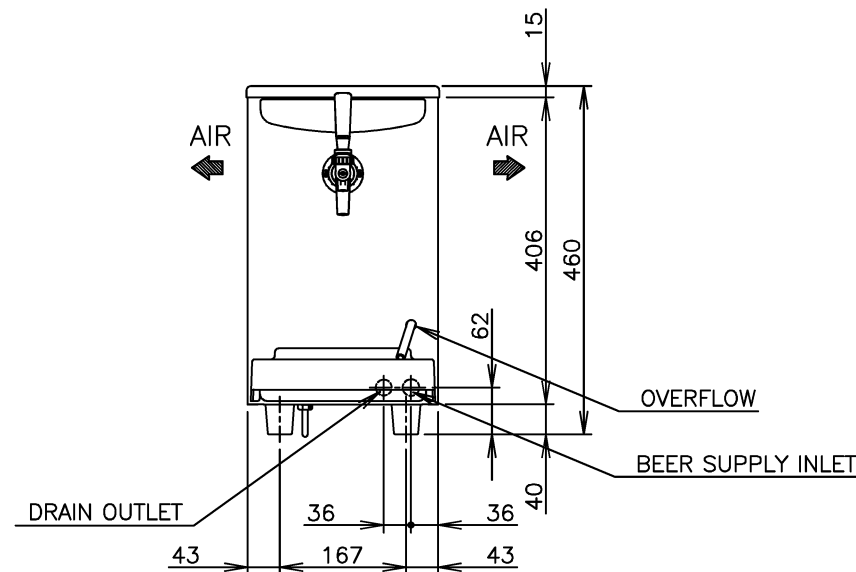


PLUG SHAPE (EU CONTINENTAL)



REAR VIEW

ITEM	Hoshizaki Draft Beer Dispenser
MODEL	DBF-25SAC
POWER SUPPLY	1 Phase 220V-240V 50Hz
AMPERAGE	Running 1.3A Starting 8A
ELECTRIC CONSUMPTION	Rated Motor 196W (Power Factor 69%)
BEVERAGE CIRCUIT	1 Beer Circuit
CAPACITY	0.37kVA
DISPENSING CAPACITY	25L (30° C → 8° C / 4h)
ICE MAKING TIME	Approx. 5h (Initial Cooling Water Temp. 30° C)
ICE CAPACITY	Approx. 4L
OUTSIDE DIMENSIONS	255mm(W)x587mm(D)x460mm(H)
EXTERIOR	Stainless Steel, Galvanized Steel(Bottom) ABS Plastic (Side Panel)
WATER TANK	ABS Plastic
INSULATION	Polyurethane Foam
COOLING SYSTEM	Instant Cooling (Ice)
DISPENSING OUTLET	Dispensing Valve with Foaming Function
COMPRESSOR	Hermetic
CONDENSER	Wire Condenser Type, Air-cooled, Fan Motor x1
HEAT REJECTION	390W
EVAPORATOR	Copper Tube Coil
REFRIGERANT CONTROL	Capillary Tube
REFRIGERANT	R134a / 95g
ICE MAKING CONTROL	Electrode
ELECTRIC CIRCUIT PROTECTION	10A Fuse, Earthing Conductor
COMPRESSOR PROTECTION	Auto-reset Overload Protector
LEG	Rubber
NET WEIGHT	24kg (Gross 27kg)
PACKAGE	Carton 347mm(W)x647mm(D)x489mm(H)
ACCESSORIES	Brush (Large x1, Small x1), Chain, Hook, Hook Mounting Screw x2, Nozzle Cap, O-ring, Cleaning Sponge x6, Spanner, Drain Pan, Grille
OPERATING CONDITIONS	Ambient Temperature: 5-35° C Voltage Range: 198V - 242V

*We reserve the right to make changes in specifications and design without prior notice.

1. Install the product properly in accordance with the instruction manual provided. Allow 10mm extra space at the installation site to meet any installation requirements. (additional spacing is also required for proper air flow and pipe connections.)
2. The cooling capacity depends on beer and ambient temperatures.
3. The specifications are based on ambient temperature of 30±2° C.
4. The hatched area shows the wall. Allow at least the space indicated for ventilation.
5. This drawing does not show the beer barrel and CO2 gas cylinder required for installation. Be sure to include them in layout drawing.
6. Product Code: B087-D003 (SAPPORO MODEL)

HOSHIZAKI DRAFT BEER DISPENSER DBF-25SAC

APPROVED NAGASE	CHECKED NAGASE	DESIGNED WANGQY	DRAWN WANGQY	SCALE 1/10	TRIGONOMETRY
*	*	△	*****	DATE 2020.03.30	DRAWING NO. D28342
APPROVED	DESIGNED	SYMBOL	DATE		SYMBOL △