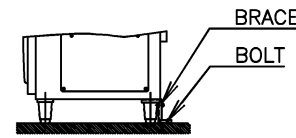
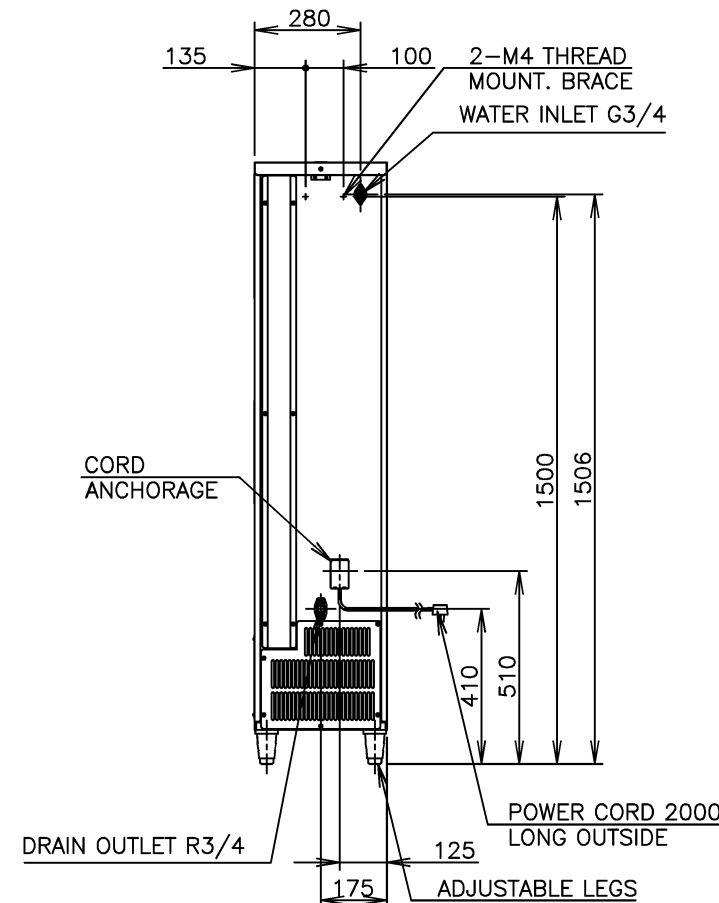
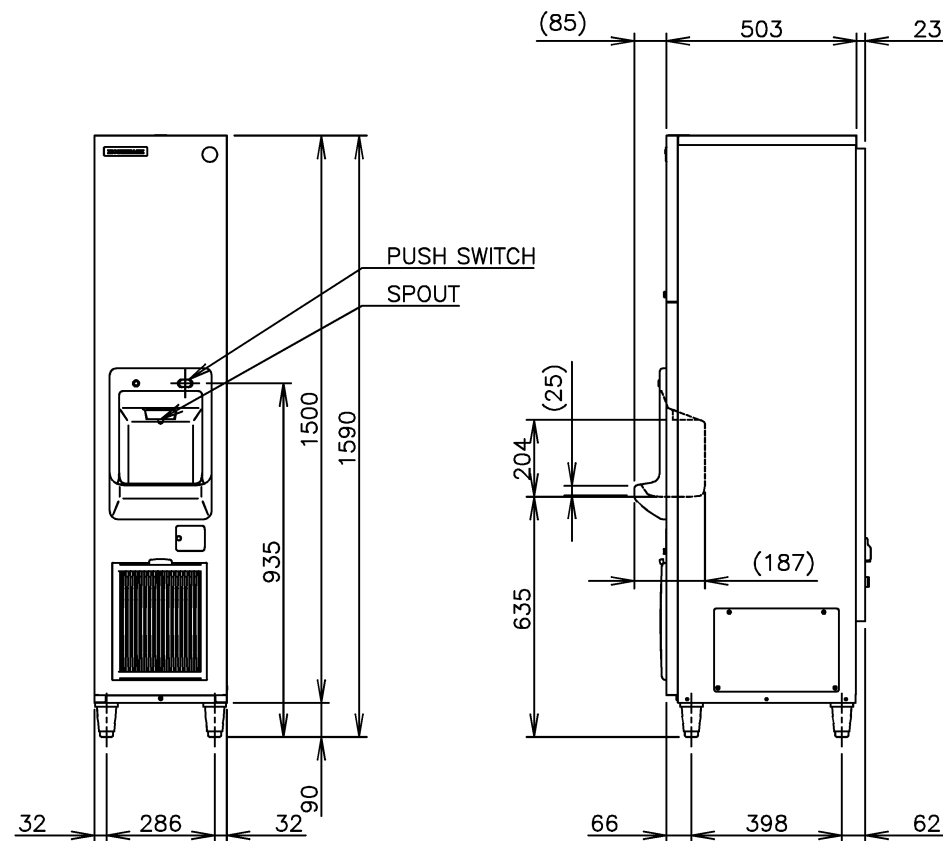


OPTIONAL  
SAFETY BRACKET INSTALLATION(WALL MOUNTING)



OPTIONAL  
SAFETY BRACKET INSTALLATION(FLOOR MOUNTING)



OPERATING CONDITIONS	Ambient Temp.: 1 - 40° C, Water Supply Pressure: 5 - 35C°
	Water Supply Pressure: 0.07 - 0.78MPa (0.7 - 7.8bar)
	Voltage Range: Rated Voltage ±6/10%

- \*We reserve the right to make changes in specifications and design without prior notice.
1. Install the ice maker properly in accordance with the instructions on location, water supply/drain connections and electrical connections stated in the instruction manual provided. Allow 10mm extra space at the installation site to meet any installation requirements (additional spacing is also required for proper air flow and pipe connections).
  2. The ice production depends on the ambient and water temperatures. Refer to the instruction manual.
  3. The adjustable legs are optional. Consult with our sales staff.
  4. Product code: E2HA-D010

ITEM	Hoshizaki Cube Ice Dispenser		
MODEL	DIM-30DE-2		
POWER SUPPLY	1 Phase 220-240/230V 50/60Hz Capacity: 0.6kVA (2.1A)/0.58kVA (2.0A)		
AMPERAGE	Running: 2.1/1.8A Rated Motor: 2.1/1.8A Starting: 13/13A		
ELECTRIC CONSUMPTION	Rated Motor:320/340W (Power factor:63/79%)		
ICE PRODUCTION PER 24h	Approx.40/42kg (AT.10° C,WT.10° C) Approx.36/36kg (AT.21° C,WT.15° C) Approx.28/30kg (AT.32° C,WT.21° C)		
SHAPE OF ICE	Cube Approx. 28x28x32mm		
ICE PRODUCTION PER CYCLE	Approx. 0.61kg/27 pcs. (AT.32° C,WT.21° C)		
MAX. STORAGE CAPACITY	Approx. 15kg		
WATER CONSUMPTION PER 24h	Approx.0.15/0.17m <sup>3</sup> (AT.10° C,WT.10° C) Approx.0.10/0.11m <sup>3</sup> (AT.21° C,WT.15° C) Approx.0.08/0.09m <sup>3</sup> (AT.32° C,WT.21° C)		
ICE RELEASE CAPACITY	Approx. 1700g/min		
OUTSIDE DIMENSIONS	350mm(W) x 526mm(D) x 1590(-1635) mm(H)		
HEAT REJECTION	600/630W (520/540kcal/h) (AT.32° C,WT.21° C)		
CABINET	Plastic (Delivery Stage, Louver) Colored Steel (Top,Side) Galvanized Steel (Rear) Acrylic Painted Steel (Front)		
STORAGE BIN	ABS Plastic, Insulation: Polyurethane Foam		
ICE MAKING SYSTEM	Cell Type		
HARVESTING SYSTEM	Hot Gas Defrost		
ICE DISPENSING SYSTEM	Auger Operated By Push Switch		
CONNECTIONS - ELECTRIC	X-type Con. (with CONT./UK Plug)		
CONNECTIONS - WATER SUPPLY	Inlet G3/4 (rear side)		
CONNECTIONS-DRAIN	Outlet R3/4 (rear side)		
COMPRESSOR	Hermetic		
CONDENSER	Fin and Tube Type, Air-cooled		
EVAPORATOR	Electroless nickel plated Copper Tube on Sheet		
REFRIGERANT CONTROL	Capillary Tube		
REFRIGERANT	R134a/200g		
ICE MAKING CONTROL	Thermistor, Timer		Controller Board
HARVESTING CONTROL	Thermistor		
ICE MAKING WATER CONTROL	Timer, Water Pan's movement		
BIN CONTROL	Microswitch With Time Delay		
ELECTRICAL PROTECTION	Class I Appliance, 5A Fuse		
COMPRESSOR PROTECTION	Auto-reset Overload Protector		
ADJUSTABLE LEGS	ABS (90-135mm)		
NET WEIGHT	65kg (Gross: 80kg)		
PACKAGE	450(W) x 730(D) x 1666(H) mm		
ACCESSORIES	Mounting Brace (Wall Mounting), Installation Kit		
OPTIONAL PARTS	Mounting Brace (Floor Mounting)		

# HOSHIZAKI CUBE ICE DISPENSER DIM-30DE-2 [Cell Type]

APPROVED FUKUMA	CHECKED UEDA	DESIGNED UEDA	DRAWN OHASHI	SCALE 1/20	TRIGONOMETRY
*	*	△	*****	DATE 2020.06.23	DRAWING NO. D28773
APPROVED	DESIGNED	SYMBOL	DATE		SYMBOL △