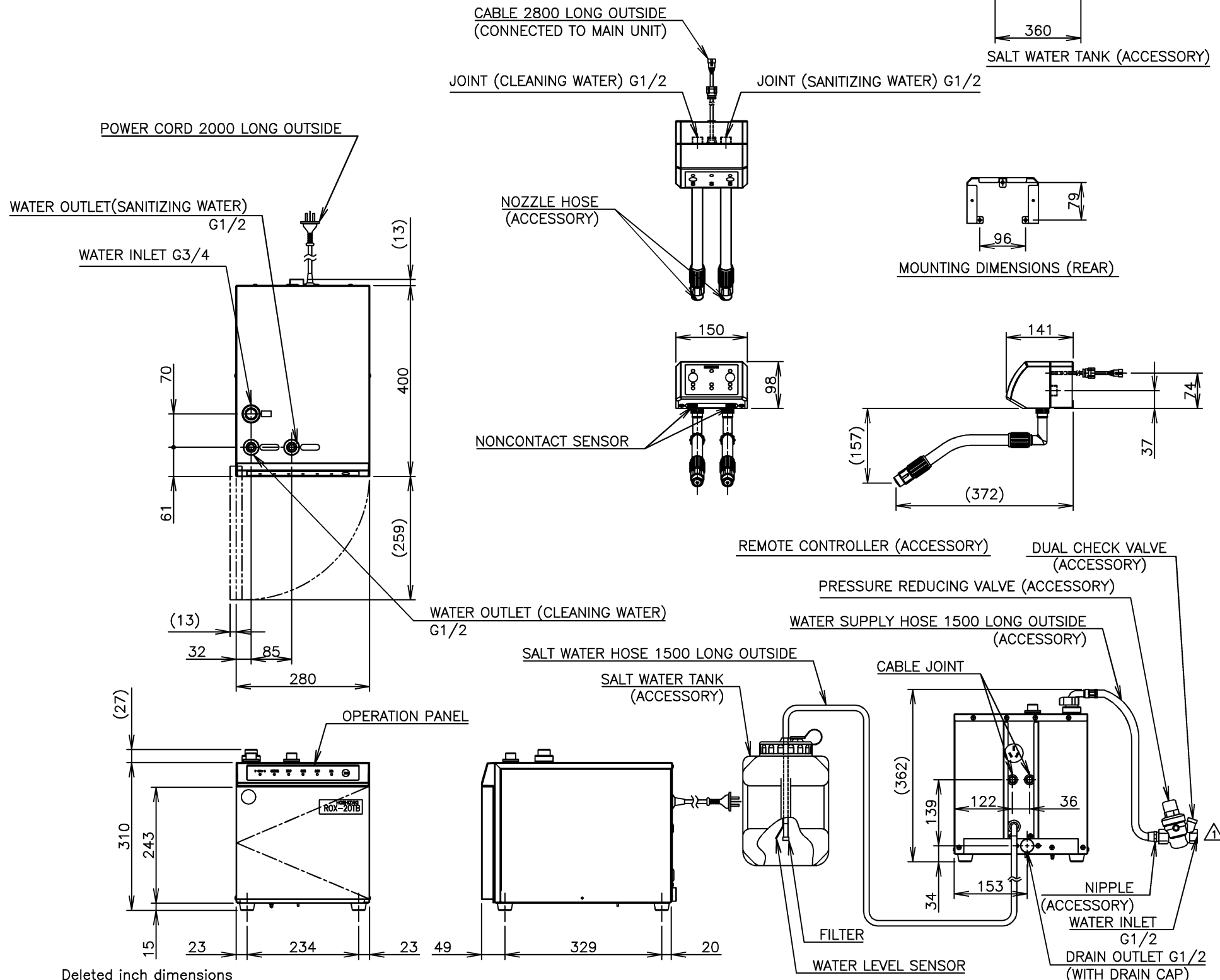


1. Proper grounding is required.
2. The installation site must be clean, dust-free and well ventilated.
3. The external piping must be insulated to prevent condensation.
4. The external piping must have equivalent resistance.
5. The rated properties are based on measurements at ambient temperature 30°C, water temperature 25°C, electrolytic voltage 12V, electrolytic current 10A and production rate 2 L/min, by using Peachtree City water.
6. The minimum water supply pressure of 0.15 MPa(22 PSIG) will be required for selection of the "High" production rate.
7. Install the product properly in accordance with the instructions on location, water supply/drain connections and electrical connections stated in the instruction and installation manuals provided.

Allow 10mm extra space at the installation site to meet any installation requirements  
 △ (additional spacing is also required for proper pipe connections).

8. Product Code: X002-D005



ITEM	Hoshizaki Water Electrolyzer	
MODEL	ROX-20TB2-EW	
POWER SUPPLY	1 Phase 220 - 240V 50/60Hz	
AMPERAGE	2.2A	
ELECTRIC CONSUMPTION	170W	
STANDARD PERFORMANCE	PRODUCTION RATE	Sanitizing/Cleaning Water: 2.0 L/min
	AVAILABLE CHLORINE	Sanitizing Water: 20 mg/kg or more
	pH	Sanitizing Water: Approx. 3 or less, Cleaning Water: Approx. 11 or more [Note] Water Temp 25°C, Electrolytic Voltage 12V, Electrolytic Current 10A (Peachtree City Water)
REFERENCE PERFORMANCE	PRODUCTION RATE	Sanitizing/Cleaning Water: Approx. 1.5 - 3.0 L/min (Min. water supply pressure of 0.15 MPa(22 PSIG) required to ensure 2.0 - 3.0 L/min)
	AVAILABLE CHLORINE	Sanitizing Water: Min. 10 <sup>3</sup> mg/kg (Production Rate: Approx. 3 L/min)
	pH	Sanitizing Water: Approx. 2.9 - 3.3, Cleaning Water: Approx. 10.5 - 11.0 [Note] Depends on raw water quality and temperature
OUTSIDE DIMENSIONS	280mm(W) x 400mm(D) x 310mm(H)	
EXTERIOR	Stainless Steel, Galvanized Steel (Polyester Powder Paint), ABS Plastic	
INTERIOR	Stainless Steel, Galvanized Steel (Polyester Powder Paint)	
ELECTROLYSIS SYSTEM	Membrane Technology	
DILUTE SALT WATER ADJUSTMENT SYSTEM	Direct Electromagnetic Pump Injection Method	
ELECTROLYTIC CURRENT ADJUSTMENT SYSTEM	Automatic Adjustment (with Water Temp Correction)	
ELECTROLYTIC VOLTAGE ADJUSTMENT SYSTEM	Automatic Adjustment	
PRODUCTION RATE ADJUSTMENT SYSTEM	Automatic Adjustment by Switch Operation (Low/Standard/High)	
WATER SUPPLY SYSTEM	Direct Connection to Water Main (Accessory pressure reducing valve required) G3/4 (G1/2)	
START/STOP	Push Button Switch, Noncontact Sensor	
DISPLAY	Operation, Ready, Add Salt Water, Flush, Replace Cell, Error	
CONNECTIONS	Water Inlet G3/4 (Pressure Reducing Valve G1/2), Water Outlet G1/2, Drain Outlet G1/2	
CELL POLARITY SWITCHING CONTROL	Timer-Programmable Controller (Protection for power failure)	
CELL POWER SUPPLY	Constant Voltage DC Power Supply (300W)	
CELL REPLACEMENT TIME	Timer-Programmable Controller (Protection for power failure)	
SALT WATER USAGE CONTROL	Electrode Level Sensor	
DILUTE SALT WATER CONCENTRATION	Automatic Adjustment by Electrolytic Voltage and Current	
ELECTRIC CIRCUIT PROTECTION	Earth Leakage Circuit Breaker (with Overcurrent Protector), Earth Wire, Fuse (for PC Board: 5A)	
SAFETY DEVICE PROTECTION	Emergency Stop by Microprocessor Control	
WEIGHT	Approx. 22 kg (Gross 28 kg)	
PACKAGE	Carton 380mm(W) x 480mm(D) x 550mm(H)	
CERTIFICATION	C-tick, WATERMARK LIC NO. WMKA22283	
ACCESSORIES	Salt Water Tank (5 L), Cap (x 2), Connection Hose Assy, Dual check valve Hose Clamp, pH Tester (TB, AZY), Nipple, Chlorine Tester, Measuring Cup, Gasket, Pressure Reducing Valve (0.15MPa(22 PSIG)), Operation Sheet, Braided Hose, Remote Controller Union - Elbow, Rubber Dropper, Elbow	
OPTION	Float Switch	
INSTALLATION CONDITIONS	Ambient Temp: 5 - 35°C Water Temp: 5 - 30°C Relative Humidity: Max. 85% (No condensation) Water Supply Pressure: 0.10 - 0.75 MPa(22 - 109 PSIG) Voltage Range: Rated Voltage±10% Installation Site: Indoor, Ventilation required Water Supply: Comply with local water and sewerage requirements, Water Softener and Filter required Salt: Min. Purity 99%	

\*We reserve the right to make changes in specifications and design without prior notice.

APPROVED ACHIWA	CHECKED ANZAI	DESIGNED ITO	DRAWN WATANABE	SCALE 1/10	TRIGONOMETRY
INOUE	ITO	2014.09.23	DATE	2013.01.25	DRAWING NO. D12446
APPROVED	DESIGNED	SYMBOL	DATE		SYMBOL △

# HOSHIZAKI WATER ELECTROLYZER ROX-20TB2-EW

Deleted inch dimensions