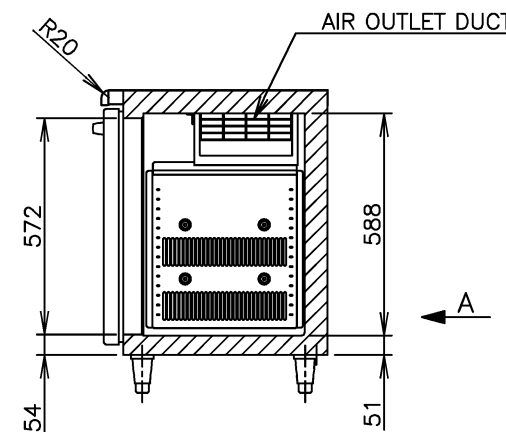
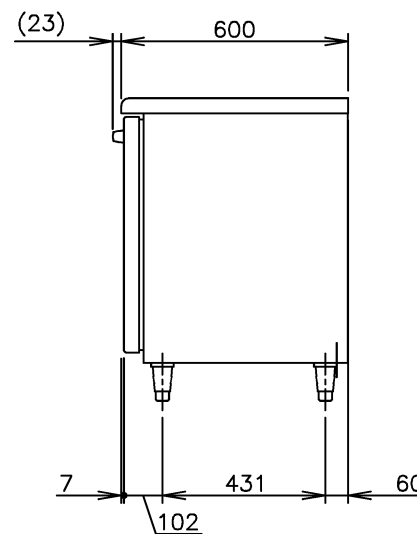
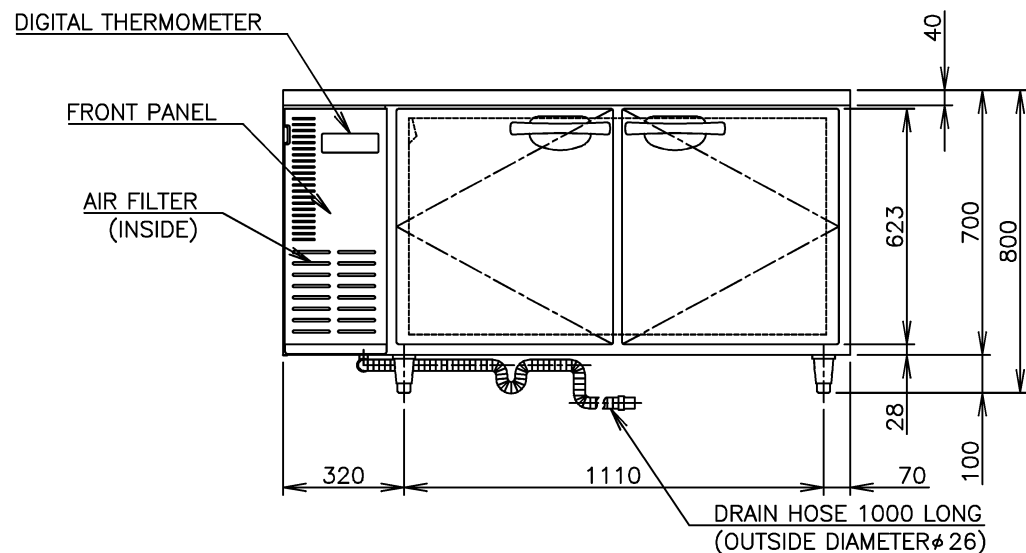
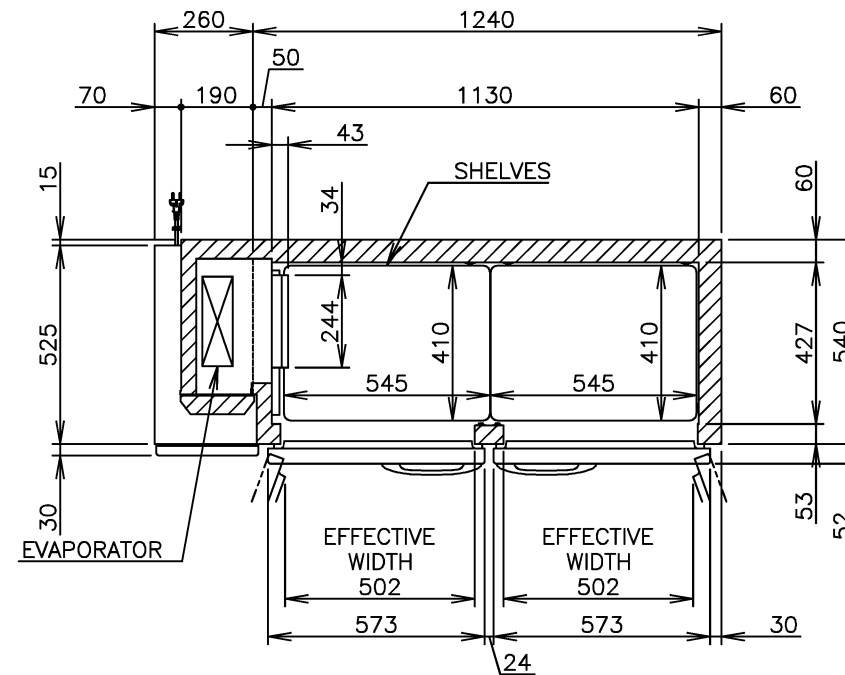
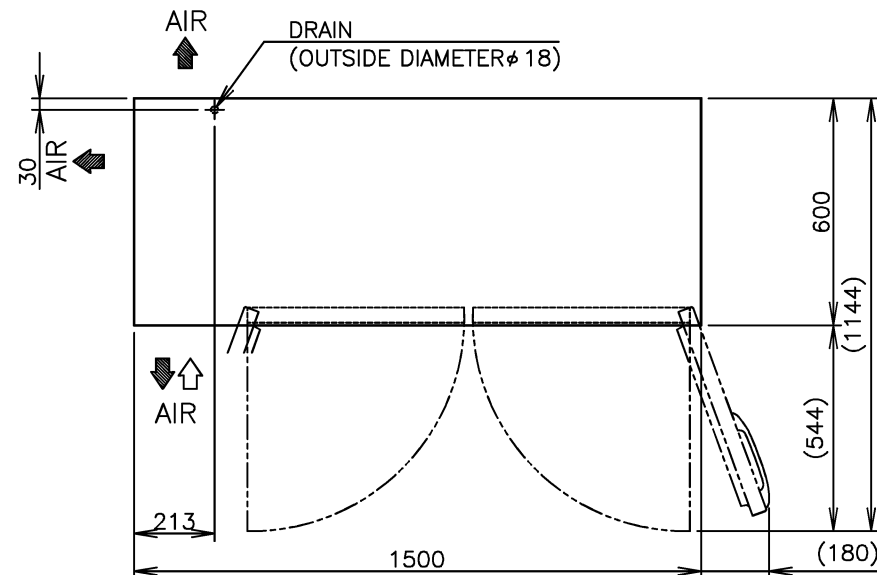


PLUG SHAPE

VIEW A



ITEM	Hoshizaki Undercounter Freezer
MODEL	FTC-150SNA
△ POWER SUPPLY	1 Phase 220V~ 50Hz Capacity: 0.90kVA (4.09A)
AMPERAGE	Rated 2.9A Starting 14.8A
△ ELECTRIC CONSUMPTION	473W Heater 373W Defrost 330W
HEAT REJECTION	870W
POWER CORD	2.8m (Plug with Earth Wire)
△ EFFECTIVE CAPACITY	258L
△ OUTSIDE DIMENSIONS	W1500xD600xH800(790-820)mm
INSIDE DIMENSIONS	W1130xD427xH588mm
EXTERIOR	Stainless Steel, Galvanized Steel (Rear / Bottom)
INTERIOR	Stainless Steel, ABS Plastic
INSULATION	Polyurethane Foam
INSULATION FOAM BLOWING AGENT	Cyclopentane
REFRIGERATION SYSTEM	Forced Air Circulation
DEFROST SYSTEM	Glass Tube Heater
△ COMPRESSOR	Hermetic
CONDENSER	Fin and Tube type, Air-cooled
EVAPORATOR	Fin and Tube Type
REFRIGERANT	R404A / 190g
TEMPERATURE CONTROL	Microprocessor controlled Adjustable from -25 to -7° C
DEFROST CONTROL	Microprocessor controlled
ELECTRIC CIRCUIT PROTECTION	Fuse, Earth Wire
COMPRESSOR PROTECTION	Motor Protector
△ LEG	Plastic Adjustable from 90 to 120mm
SHELF	4pcs.
△ WEIGHT	Net: 93kg (Gross: Approx. 111kg)
PACKAGE	Carton W1565xD680xH790mm
ACCESSORIES	Drain Hose (ϕ 26mm OD), Cable strap x 3
OPERATING CONDITIONS	Ambient Temperature: 5-43° C Voltage Range: Rated Voltage \pm 6%

*We reserve the right to make changes in specifications and design without prior notice.

1. Install the product properly in accordance with the instructions on location, electrical connections stated in the instruction manual provided. Allow 10mm extra space at the installation site to meet any installation requirements (additional spacing is also required for proper air flow and pipe connections).
2. The heat rejection is based on the reached pulldown temperature at ambient temperature of 43° C and power supply of 220V 50Hz. The amperage and electric consumption are based on measurements at ambient temperature of 43° C and power supply of 220V 50Hz.
3. The cabinet temperature range of -25 to -7° C is guaranteed at ambient temperature of 30° C.
4. Product code: T022

HOSHIZAKI UNDERCOUNTER FREEZER FTC-150SNA

APPROVED SAEKI	CHECKED FUJIHARA	DESIGNED KAWAKAMI	DRAWN KAWAKAMI	SCALE 1/20	TRIGONOMETRY
NAGASE	WANGY	2020.06.20	DATE	2009.11.06	DRAWING NO. D05141
APPROVED	DESIGNED	SYMBOL	DATE		SYMBOL