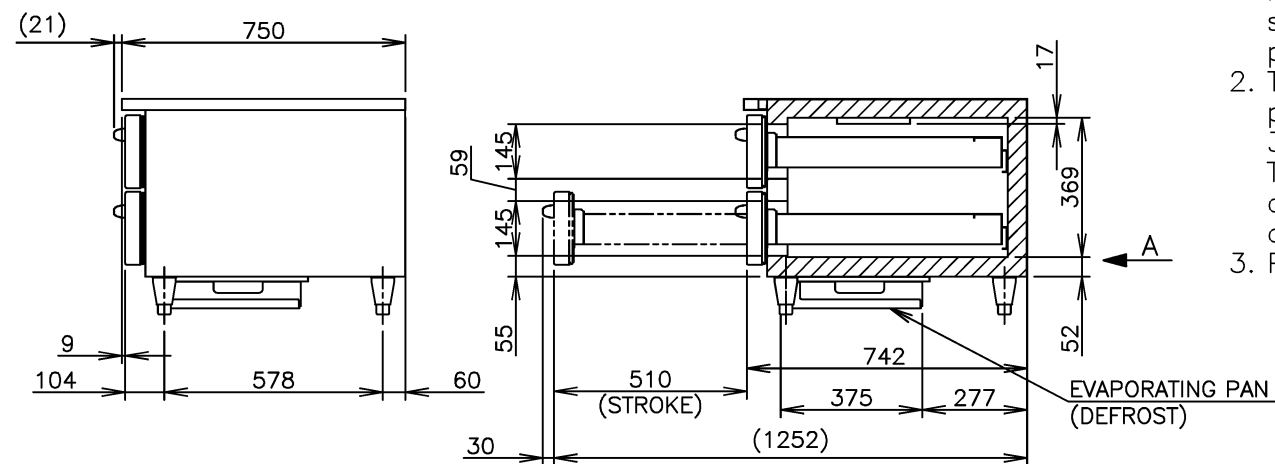
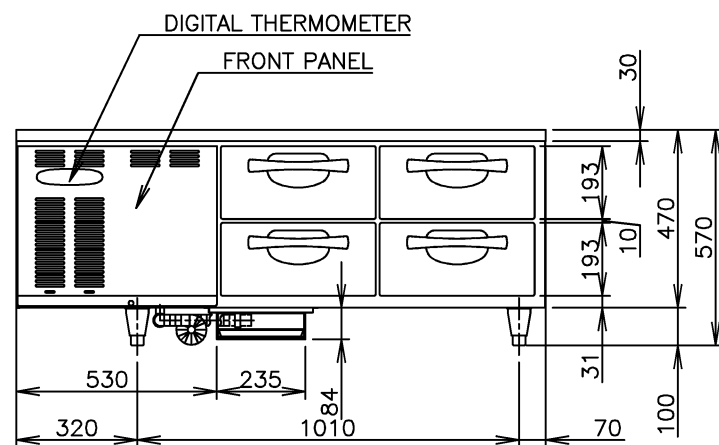
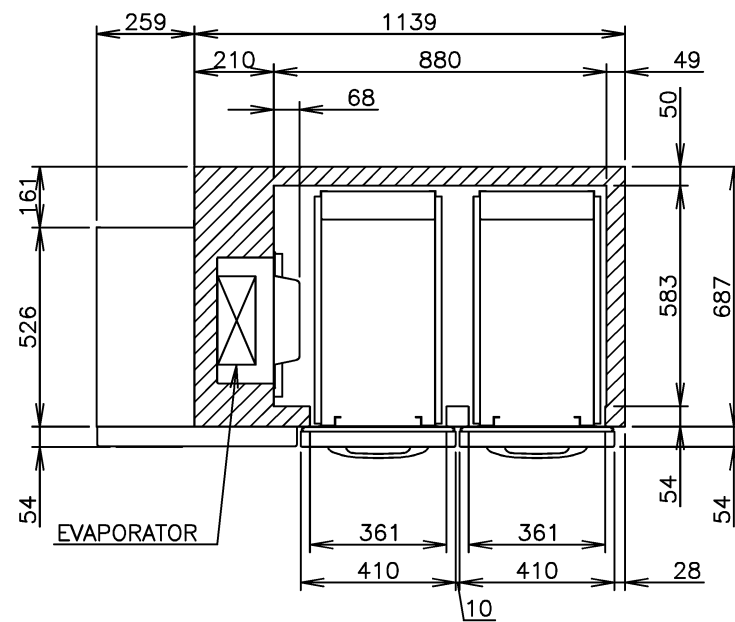
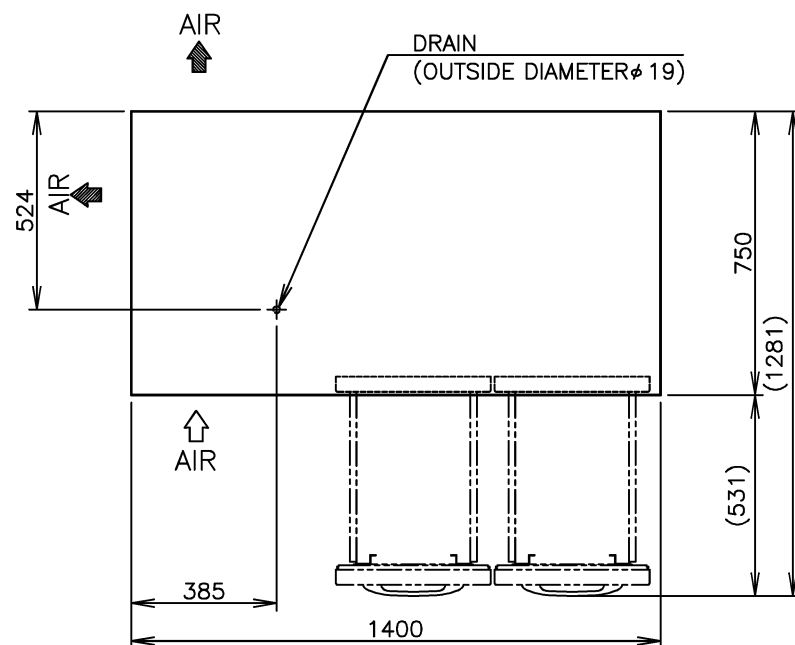
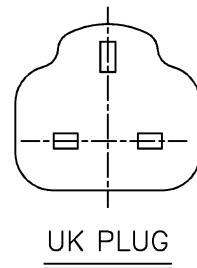


VIEW A (1/10)



ITEM	Hoshizaki Drawer Type Undercounter Freezer
MODEL	FTL-148MA-SD
POWER SUPPLY	1 Phase 220-240V 50Hz Capacity: 0.95kVA(4.3A)
AMPERAGE	Rated:3.0A
ELECTRIC CONSUMPTION	Motor: 360W(Power Factor: *) Heater: 439W Refrigeration: 476W Defrost: 439W
HEAT REJECTION	*W
POWER CORD	2.0m (UK Plug with Earth Wire)
EFFECTIVE CAPACITY	176L
OUTSIDE DIMENSIONS	1400mm(W) x 750mm(D) x 570 (560-590) mm (H)
INSIDE DIMENSIONS	880mm(W) x 583mm(D) x 369mm(H)
EXTERIOR	Stainless Steel, Galvanized Steel (Rear/Bottom) Stainless Steel (Door, Front Panel)
INTERIOR	Stainless Steel
INSULATION	Polyurethane Foam
INSULATION FOAM BLOWING AGENT	Cyclopentane
REFRIGERATION SYSTEM	Forced Air Circulation
DEFROST SYSTEM	Heater
COMPRESSOR	Hermetic 410W (cooling capacity)
CONDENSER	Fin and Tube type, Air-cooled
EVAPORATOR	Fin and Tube Type
REFRIGERANT	R404A/160g
TEMPERATURE CONTROL	Microprocessor (Digital Temp Indication) Adjustable from -23 to -7°C
DEFROST CONTROL	Microprocessor
ELECTRIC CIRCUIT PROTECTION	Fuse, Earth Wire
REFRIGERANT CIRCUIT PROTECTION	Motor Protector
LEG	Plastic Adjustable 90 to 120mm
WEIGHT	111kg (Gross Approx. 116kg)
PACKAGE	Carton 1465mm(W) x 830mm(D) x 560mm(H)
ACCESSORIES	Drain Hose x 1, Drain Pan x 1
OPERATING CONDITIONS	Ambient Temperature: 5-38°C Voltage Range: Rated Voltage±6%

\*We reserve the right to make changes in specifications and design without prior notice.

1. Install the product properly in accordance with the instructions on location, electrical connections stated in the instruction manual provided. Allow 10mm extra space at the installation site to meet any installation requirements (additional spacing is also required for proper air flow and pipe connections).
2. The heat rejection is based on the reached pulldown temperature at ambient temperature of 38°C and power supply of 230V 50Hz. The amperage and electric consumption are based on measurements at ambient temperature of 38°C and power supply of 230V 50Hz.
3. Product code: T255-C100

# HOSHIZAKI DRAWER TYPE UNDERCOUNTER FREEZER FTL-148MA-SD

APPROVED KAWAKAM	CHECKED WANG	DESIGNED KAWAKAMI	DRAWN ZHANG	SCALE 1/20	TRIGONOMETRY
* APPROVED	* DESIGNED	△ SYMBOL	* DATE	2019.03.07	DRAWING NO. D24725