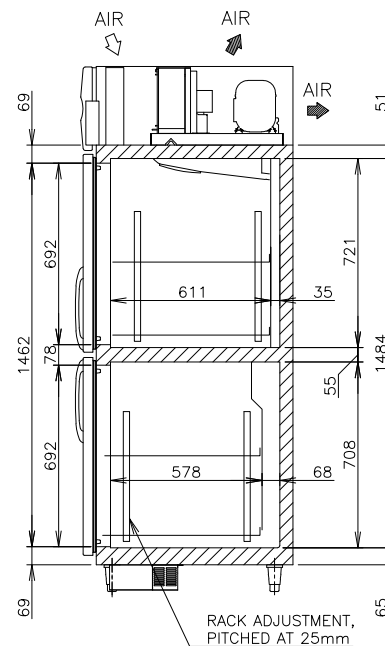
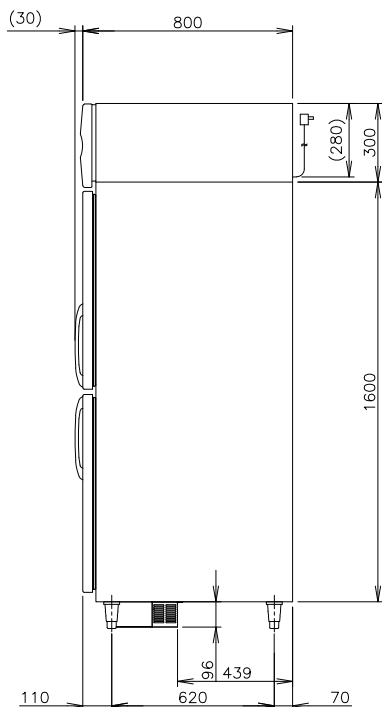
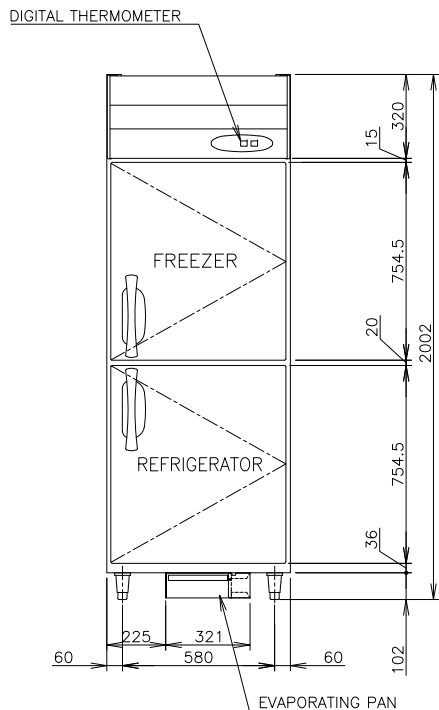
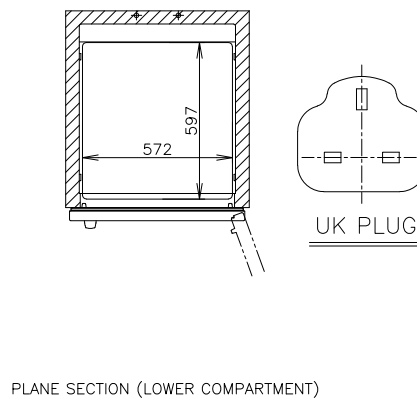
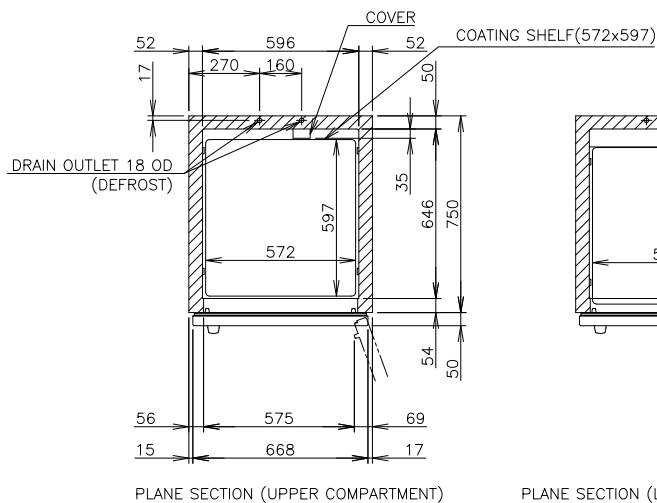
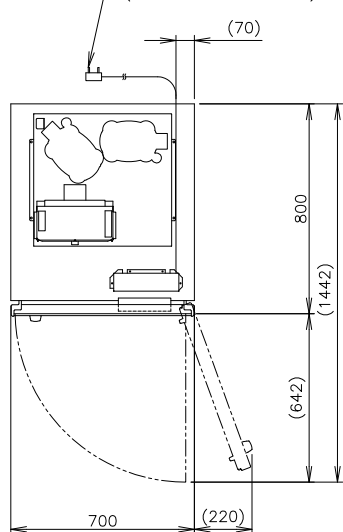


POWER CORD 2300 LONG OUTSIDE
(PLUG WITH EARTH WIRE)



ITEM	Hoshizaki Reach-in Freezer/Refrigerator	
MODEL	HRFE-77B-SHD	
POWER SUPPLY	1 Phase 230V 50Hz Capacity: 0.87kVA (4.00A)	
AMPERAGE	Rated: 3.93A	
ELECTRIC CONSUMPTION	Heater: 552W Defrost: 200W	
HEAT REJECTION	*W	
POWER CORD	2.3m (Plug with Earth Wire)	
EFFECTIVE CAPACITY	Total 542L (Refrigerator: 260L, Freezer: 282L)	
OUTSIDE DIMENSIONS	700mm(W)×800mm(D)×2002(-2020)mm(H)	
INSIDE DIMENSIONS	Refrigerator	596mm(W)×580mm(D)×708mm(H)
	Freezer	596mm(W)×611mm(D)×721mm(H)
EXTERIOR	Stainless Steel, Galvanized Steel(Rear, Bottom)	
INTERIOR	Stainless Steel, ABS Plastic(Door)	
INSULATION	Polyurethane Foam	
INSULATION FOAM BLOWING AGENT	Cyclopentane	
REFRIGERATION SYSTEM	Forced Air Circulation	
DEFROST SYSTEM	Heater	
COMPRESSOR	Refrigerator	Hermetic
	Freezer	Hermetic
CONDENSER	Refrigerator	Fin and Tube Type, Air-cooled
	Freezer	
EVAPORATOR	Refrigerator	Fin and Tube type
	Freezer	Fin and Tube type
REFRIGERANT	Refrigerator	R134a/130g
	Freezer	R404A/150g
TEMPERATURE CONTROL	Refrigerator	Microprocessor Controlled (Digital Temperature Indication) Adjustable from -6 to -12°C
	Freezer	Microprocessor Controlled (Digital Temperature Indication) Adjustable from -25 to -7°C
DEFROST CONTROL	Microprocessor	
ELECTRIC CIRCUIT PROTECTION	Earth Wire, Circuit Breaker	
REFRIGERANT CIRCUIT PROTECTION	Motor Protector (Auto-reset)	
LEG	Plastic Adjustable from 102 to 120mm	
SHELF	4 pcs.	
WEIGHT	135kg (Gross 150kg)	
PACKAGE	Carton (Wooden Pallet) 760mm(W)×900mm(D)×2075mm(H)	
ACCESSORIES	Drain Hose×2, Drain Pan x 1	
OPERATING CONDITIONS	Ambient Temperature: 5 - 43°C	
	Voltage Range: Rated Voltage ±6%	

*We reserve the right to make changes in specifications and design without prior notice.

1. Install the product properly in accordance with the instructions on location, water supply/drain connections and electrical connections stated in the instruction and installation manuals provided.
Allow 10mm extra space at the installation site to meet any installation requirements (additional spacing is also required for proper air flow and pipe connections).
2. The heat rejection is based on the reached pulldown temperature at ambient temperature of 35°C.
3. Product Code: R271-D014