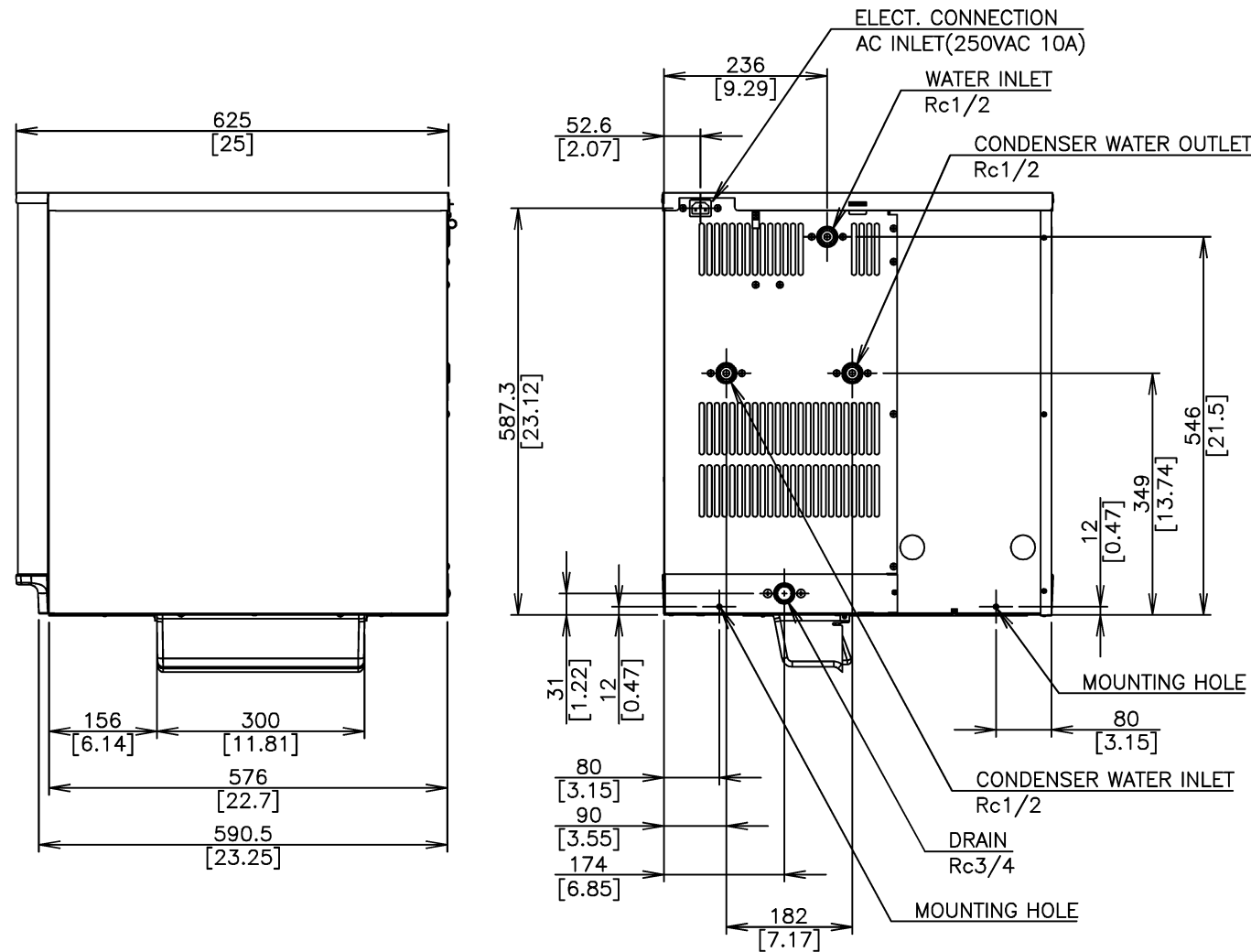
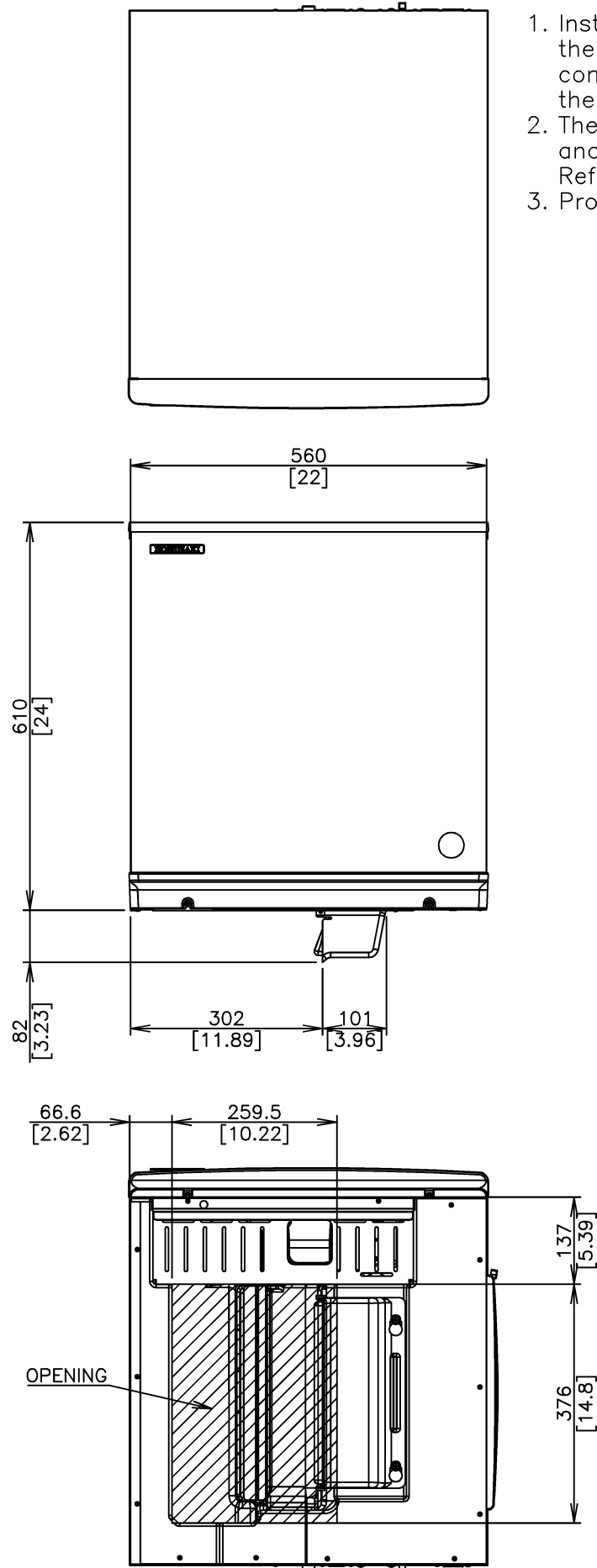


1. Install the product properly in accordance with the instructions on location, water supply/drain connections and electrical connections stated in the instruction and installation manuals provided.
2. The ice production depends on the ambient and water temperatures. Refer to the instruction manual.
3. Product Code: F133

WEIGHT	Net weight 58kg / Gross weight 74kg
PACKAGE	Carton 668mm (W) x 727mm (D) x 783mm (H)
ACCESSORIES	Instruction Manual, Universal Brace (2), Bolt (2) Check Valve (-C111), Nipple (-C111) Power Cord-SE type plug (-C141) BF type plug (-C121, 171), O type plug (-C101, 111) A (angled) type plug (-C181), A (parallel) type plug (-C161)
OPERATION CONDITION	Ambient Temp. : 7-40°C, Water Supply Temp. : 7-35°C Water Supply Pressure: 0.07-0.8MPa (0.7-8bar) Voltage Range: ±6%

*We reserve the right to make changes in specifications and design without prior notice.

ITEM	Hoshizaki Crescent Ice Maker (Modular Type)
MODEL	KMD-201AWB
AC SUPPLY VOLTAGE	1 Phase 220-240/230V 50/60Hz
AMPERAGE	2.7/3.5A (AT. 32°C, WT. 21°C)
STARTING AMPERAGE	25/25A
ELECTRICAL CONSUMPTION	604/760W (AT. 32°C, WT. 21°C)
POWER FACTOR	97/96%
POWER SUPPLY CAPACITY	Min. 1.57kVA (6.8A)
ICE PRODUCTION PER 24h	Approx. 190/215kg/d (AT. 10°C, WT. 10°C) Approx. 185/205kg/d (AT. 21°C, WT. 15°C) Approx. 160/180kg/d (AT. 32°C, WT. 21°C)
POTABLE WATER CONSUMPTION PER 24h	Approx. 0.60/0.68m³/d (AT. 10°C, WT. 10°C) Approx. 0.41/0.47m³/d (AT. 21°C, WT. 15°C) Approx. 0.31/0.34m³/d (AT. 32°C, WT. 21°C)
CONDENSER WATER CONSUMPTION PER 24h	Approx. 0.92/1.10m³/d (AT. 10°C, WT. 10°C) Approx. 1.21/1.47m³/d (AT. 21°C, WT. 15°C) Approx. 1.73/2.19m³/d (AT. 32°C, WT. 21°C)
SHAPE OF ICE	Crescent Cube
FREEZE CYCLE TIME	Approx. 28.7/26.2Min (AT. 21°C, WT. 15°C)
ICE PRODUCTION PER CYCLE	Approx. 3.7/3.7kg / 416pcs (AT. 21°C, WT. 15°C)
OUTSIDE DIMENSIONS	560mm (W) x 625mm (D) x 610mm (H) (not incl. Bin Sw)
EXTERIOR	Stainless Steel, Plastic Frame (Front), Galvanized Steel (Rear)
INSULATION	Polyurethane Foam
INSULATION FOAM BLOWING AGENT	Cyclopentane
CONNECTIONS-ELECTRIC	X-type Connection
CONNECTIONS-WATER SUPPLY	Inlet Rc1/2 Cond. Inlet Rc1/2 (connected at rear side)
CONNECTIONS-DRAIN	Outlet Rc3/4 Cond. Outlet Rc1/2 (connected at rear side)
ICE MAKING SYSTEM	Vertical Evaporator with water flow on both sides
HARVESTING SYSTEM	Water Supply Harvest Cycle and Hot Gas Defrost
COMPRESSOR	Hermetic (559W)
CONDENSER	Water-cooled, Tube in tube type
EVAPORATOR	Vertical type, Stainless Steel and Copper
REFRIGERANT CONTROL	Thermostatic Expansion Valve
REFRIGERANT CHARGE	R404A/400g
ICE MAKING CONTROL SYSTEM	Float Switch
HARVESTING CONTROL SYSTEM	Hot Gas and Water, Thermistor and Timer
ICE MAKING WATER CONTROL SYSTEM	Timer Controlled, Overflow Pipe
BIN CONTROL SYSTEM	Mechanical Bin Switch
ELECTRICAL PROTECTION	Class I Appliance, 5A Fuse
P.C. BOARD CIRCUIT PROTECTION	High Voltage Cut-out (Internal)
COMPRESSOR PROTECTION	Auto-reset Overload Protector (External)
REFRIGERANT CIRCUIT PROTECTION	Auto-reset High Pressure Control Switch
LOW WATER PROTECTION	Float Switch



HOSHIZAKI CRESCENT ICE MAKER KMD-201AWB (MODULAR TYPE)

APPROVED NISHIO	CHECKED YAMAOKA	DESIGNED KOSHI	DRAWN UEDA	SCALE 1/10	TRIGONOMETRY
YAMAGUCHI APPROVED	ZHANG DESIGNED	2019.07.13 DATE	2019.05.17 DATE	D25003 DRAWING NO.	SYMBOL ▲