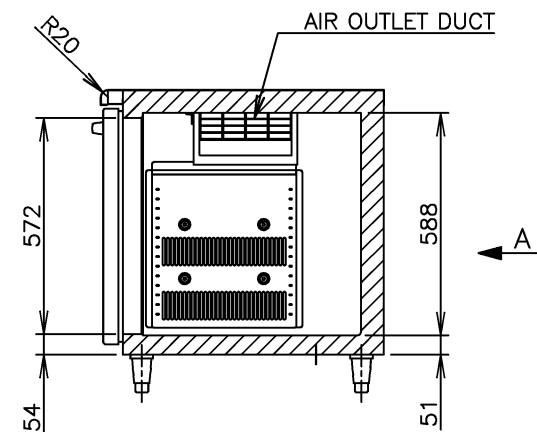
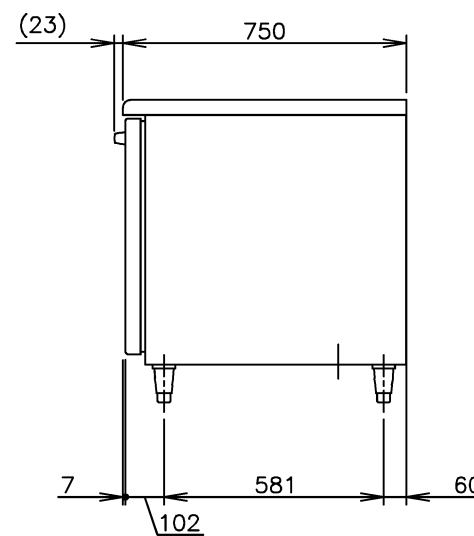
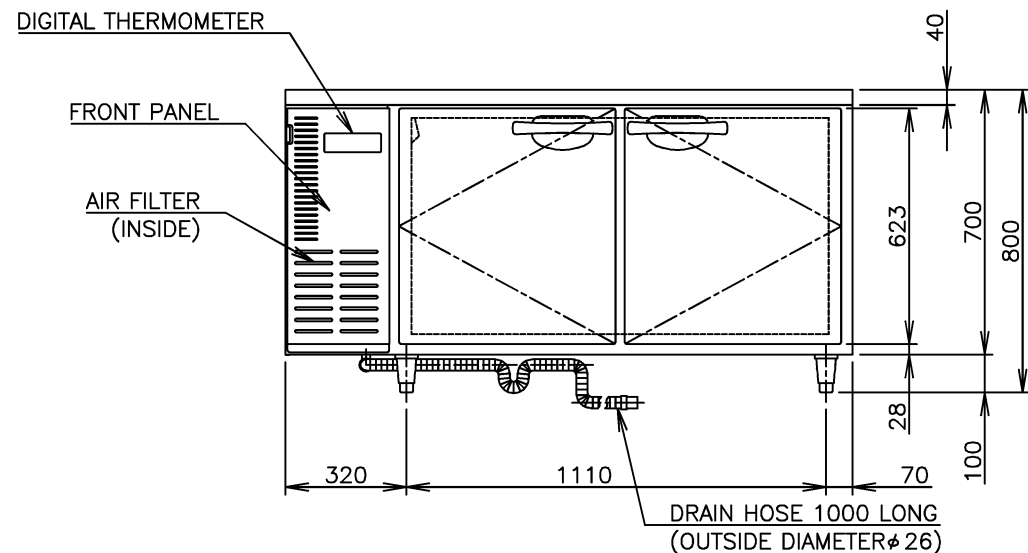
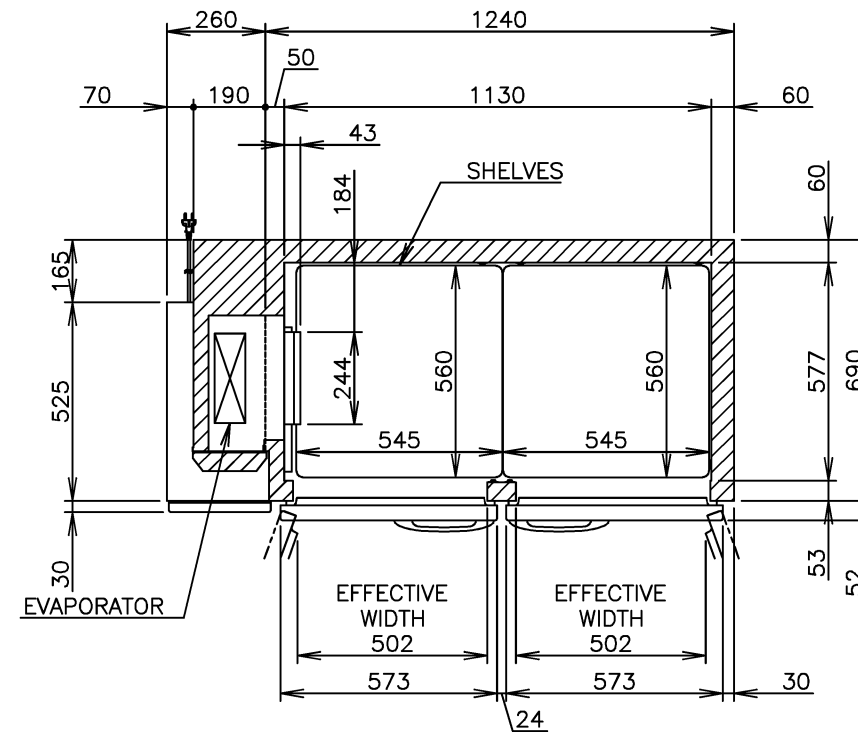
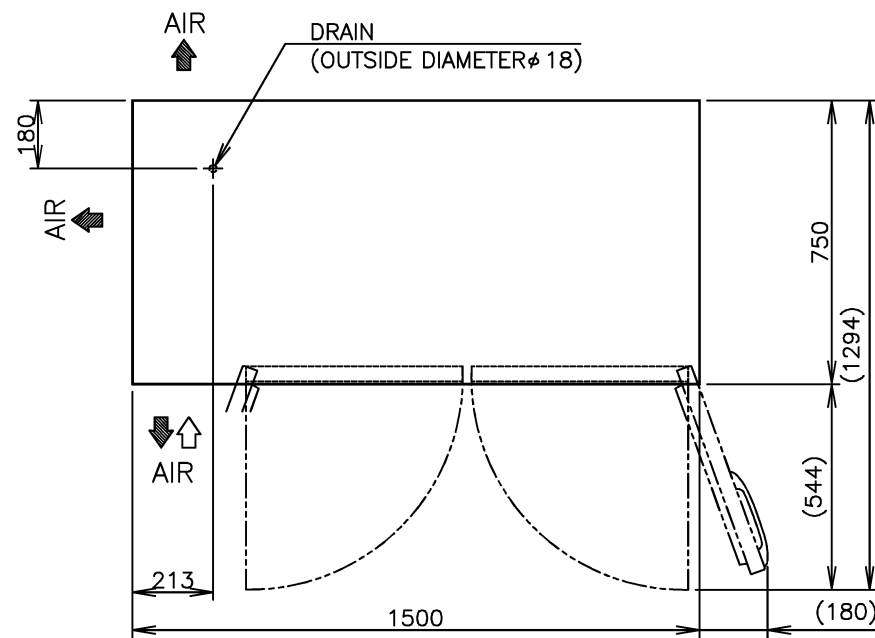


PLUG SHAPE

VIEW A



ITEM	Hoshizaki Undercounter Refrigerator
MODEL	RTC-150SDA
POWER SUPPLY	1 Phase 220V~ 50Hz Capacity: 0.54kVA (2.45A)
AMPERAGE	Rated 1.7A Starting 8.2A
ELECTRIC CONSUMPTION	271W Heater 186W Defrost 165W
HEAT REJECTION	480W
POWER CORD	2.8m (Plug with Earth Wire)
EFFECTIVE CAPACITY	337L
OUTSIDE DIMENSIONS	1500mm (W) x 750mm (D) x 800 (790-820)mm (H)
INSIDE DIMENSIONS	1130mm (W) x 577mm (D) x 588mm (H)
EXTERIOR	Stainless Steel, Galvanized Steel (Rear / Bottom)
INTERIOR	Stainless Steel, ABS Plastic
INSULATION	Polyurethane Foam
INSULATION FOAM BLOWING AGENT	Cyclopentane
REFRIGERATION SYSTEM	Forced Air Circulation
DEFROST SYSTEM	Glass Tube Heater
COMPRESSOR	Hermetic
CONDENSER	Fin and Tube type, Air-cooled
EVAPORATOR	Fin and Tube Type
REFRIGERANT	R134a / 150g
TEMPERATURE CONTROL	Microprocessor controlled Adjustable from -6 to 12° C
DEFROST CONTROL	Microprocessor controlled
ELECTRIC CIRCUIT PROTECTION	Fuse, Earth Wire
COMPRESSOR PROTECTION	Motor Protector
LEG	Plastic Adjustable 90 to 120mm
SHELF	4pcs.
WEIGHT	Net:90kg (Gross: Approx. 110kg)
PACKAGE	Carton 1565mm (W) x 830mm (D) x 790mm (H)
ACCESSORIES	Drain Hose (φ26mm OD), Cable strap x 3
OPERATING CONDITIONS	Ambient Temperature: 5-43° C Voltage Range: Rated Voltage±6%

*We reserve the right to make changes in specifications and design without prior notice.

1. Install the product properly in accordance with the instructions on location, electrical connections stated in the instruction manual provided. Allow 10mm extra space at the installation site to meet any installation requirements (additional spacing is also required for proper air flow and pipe connections).
2. The heat rejection is based on the reached pulldown temperature at ambient temperature of 43° C and power supply of 220V 50Hz. The amperage and electric consumption are based on measurements at ambient temperature of 43° C and power supply of 220V 50Hz.
3. The cabinet temperature range of -6 to 12° C is guaranteed at ambient temperature of 30° C.
4. Product code: T013

HOSHIZAKI UNDERCOUNTER REFRIGERATOR RTC-150SDA

APPROVED SAEKI	CHECKED FUJIHARA	DESIGNED KAWAKAMI	DRAWN KAWAKAMI	SCALE 1/20	TRIGONOMETRY
NAGASE	WANGQY	2020.06.08	DATE	2009.04.29	DRAWING NO. D04705
APPROVED	DESIGNED	SYMBOL	DATE		SYMBOL