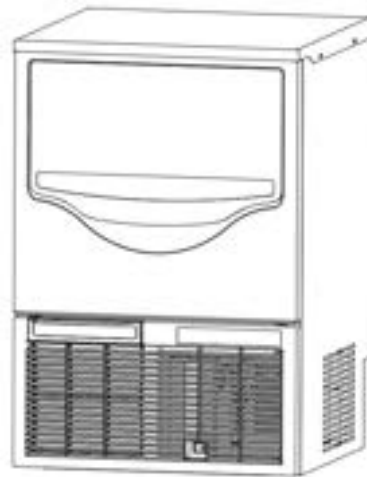


ICE MATE

COMMERCIAL SELF-CONTAINED RHOMBIC
ICE MAKER

INSTRUCTION MANUAL



- This booklet is an integral and essential part of the product and should be kept and preserved by the user.
- Please read carefully the guidelines and warnings contained herein as they are intended to provide the installer / user with the essential information for the proper installation and continued safe use and maintenance of the product.
- Please preserve this booklet for any further consultation that may be necessary.

Manufacturer: **HOSHIZAKI CHINA CORPORATION**

No. 15 Qingqiu Street, Suzhou Industrial Park, Suzhou 215126.China

SRM-45A

SRM-60A

SRM-80A

SRM-105A

SRM-125A

CONTENT

IMPORTANT SAFETY INFORMATION	1
I. INSTALLATION INSTRUCTIONS	2
1. CONSTRUCTION	2
2. ACCESSORIES	3
3. UNPACKING	4
4. LOCATION	6
5. INSTALLATION	6
6. ELECTRICAL CONNECTIONS	6
7. WATER SUPPLY AND DRAIN CONNECTIONS	7
II. OPERATING INSTRUCTIONS	8
1. START UP	8
2. PREPARING THE ICEMAKER FOR LONG STORAGE	8
III. MAINTENANCE	9
1. CLEANING	9
[a] Machine and Bin Exterior	9
[b] Scoop cleaning/Sanitisation (Daily)	9
[c] Storage Bin Interior Cleaning/Sanitisation (weekly)	9
[d] Air Filter and Condenser	11
2. PRECAUTIONS	12
3. FAULT AND TREATMENT	13
4. BEFORE CALLING FOR SERVICE	13
5. DISPOSAL	13
6. WARRANTY	14
SPECIFICATION	14

IMPORTANT SAFETY INFORMATION

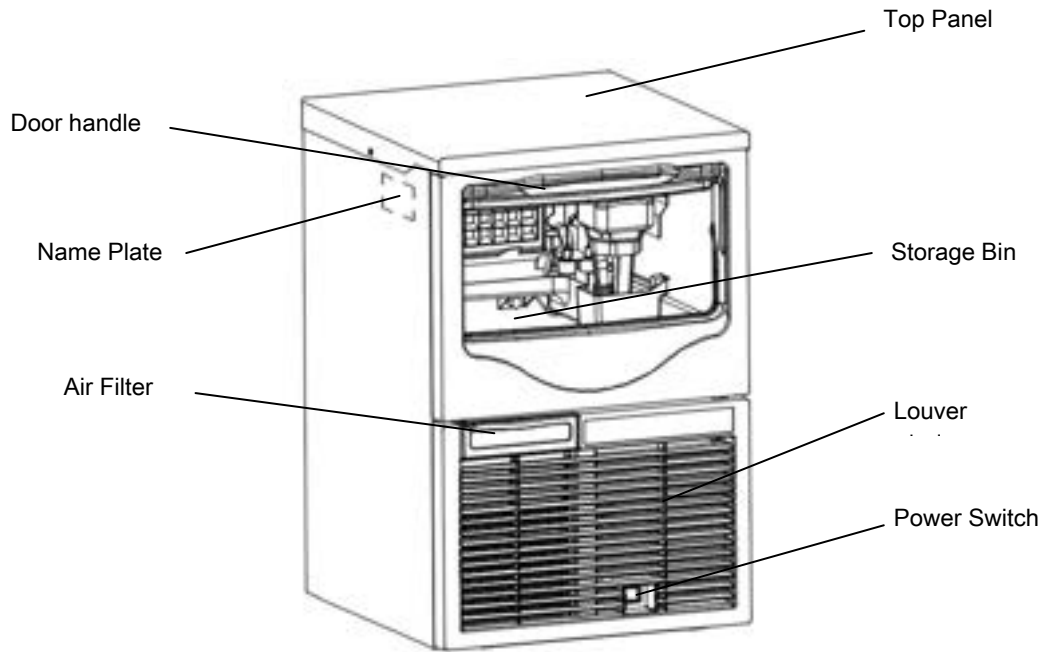
Throughout this manual, notices appear to bring your attention to situations which could result in death, serious injury or damage to the unit.

▲ WARNING	Indicates a hazardous situation which, If not avoided, could result in death or serious injury.
▲ CAUTION	Indicates a hazardous situation which, If not avoided, could result in minor or moderate injury.
NOTICE	Indicates a hazardous situation which, If not avoided, could result in damage to the unit.
▲ HYGIENE	Indicates important precautions for hygiene and food safety.
IMPORTANT	Indicates important information about the use and care of the unit.

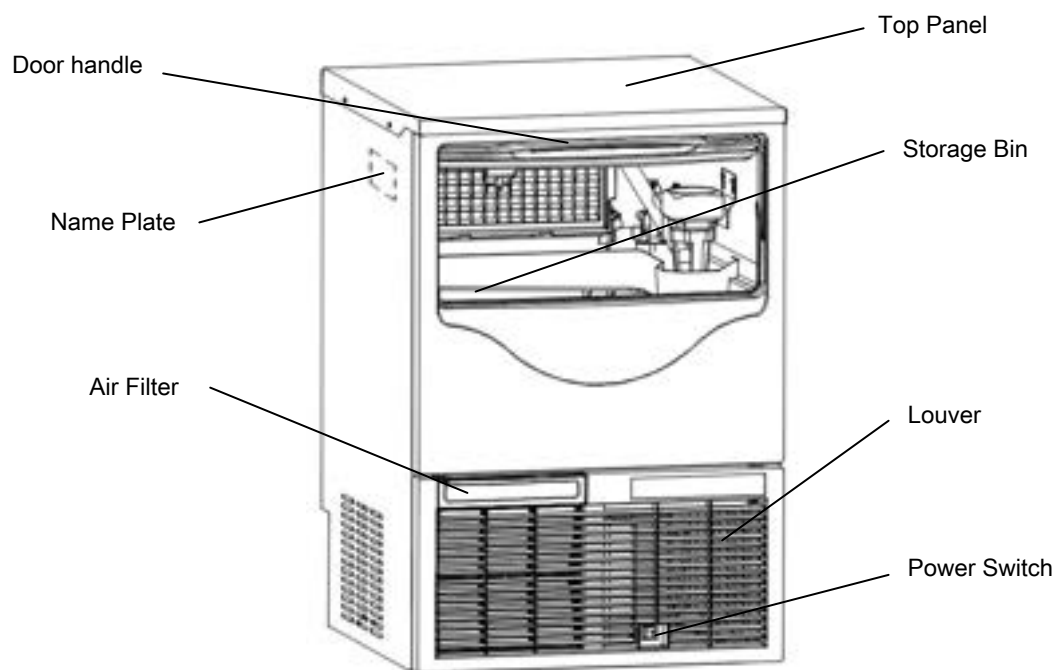
▲ WARNING
The ice maker is a commercial icemaker, and should be destined only to be used for the purpose for which it has been expressly designed.
Any other use should be considered improper and therefore dangerous. The manufacturer will not be held liable or responsible for any damage caused by improper, incorrect and unreasonable use.
The installation, and relocation if necessary, must be carried out by qualified personnel , in accordance with current regulations, according to the manufacturer's instructions.
Keep ventilation openings, in the appliance enclosure or in the built-in structure, clear of obstruction.
The use of any electrical appliance involves the observance of some fundamental rules. In particular:
* Instance of any high humidity and moisture increase the risk of electrical short circuits and potential electric shocks. If in doubt, disconnect the icemaker.
* Do not damage the power cord or pull it in order to disconnect the icemaker from the electrical supply network.
* Do not touch electrical parts or operate the switches with damp hands.
* This appliance is not intended for use by persons (including children) with reduced physical, sensory or mental capabilities, or lack of experience and knowledge, unless they have been given supervision or instruction concerning use of the appliance by a person responsible for their safety.
* Young children should be supervised to ensure that they do not play with the appliance.
* Do not attempt to modify the ice maker. Only qualified personnel may disassemble or repair the appliance.

I . INSTALLATION INSTRUCTIONS

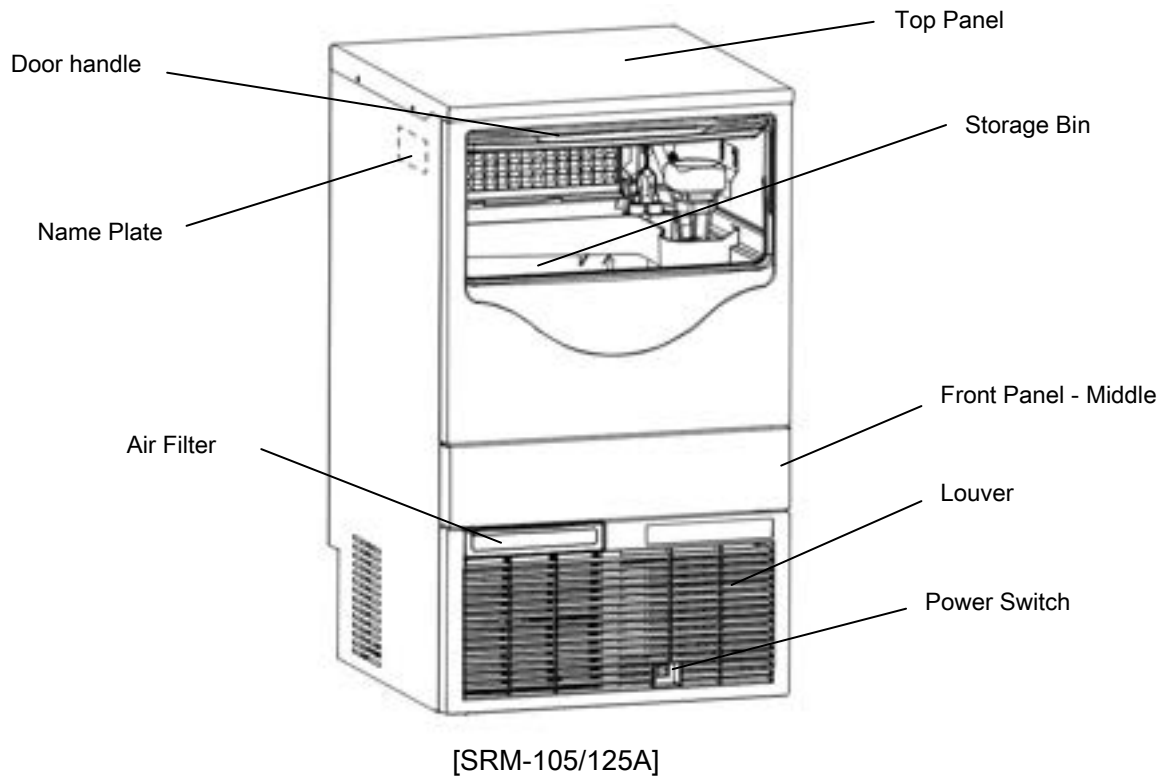
1. CONSTRUCTION



[SRM-45A]



[SRM-60/80A]



2. ACCESSORIES

	SRM-45A	SRM-60A	SRM-80A	SRM-105A	SRM-125A
Instruction Manual	1	1	1	1	1
Scoop	1	1	1	1	1
Leg	0	4	4	4	4



Instruction Manual



Scoop



Leg

3. UNPACKING

▲ WARNING

Children should not be allowed in reach of the Packaging elements (plastic bags and expanded polystyrene, etc.) as they are potential sources of danger.

▲ CAUTION

Do not lift or manoeuvre the carton by using the shipping bands.

When moving the unit, hold the unit bottom.

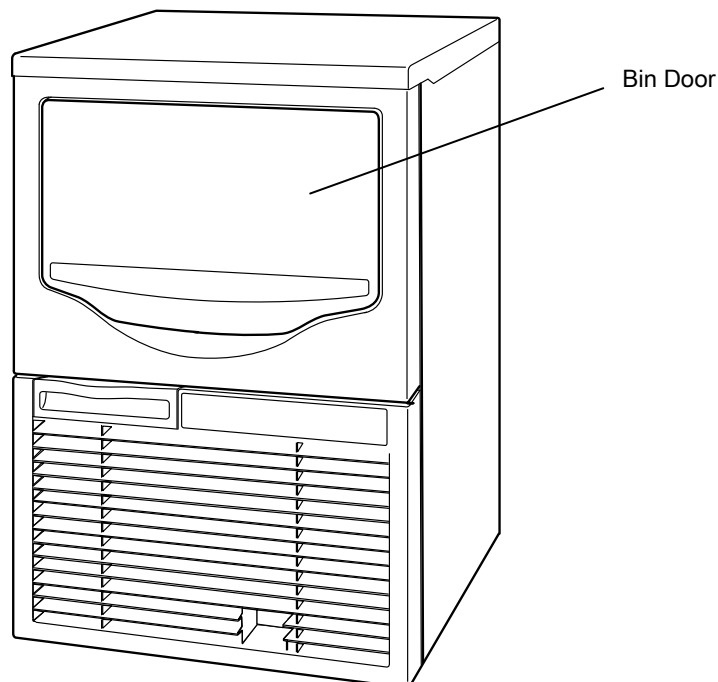
Always wear protective gloves when carrying the unit.

When handing the carton or the unpacking unit, work in pair to prevent injury.

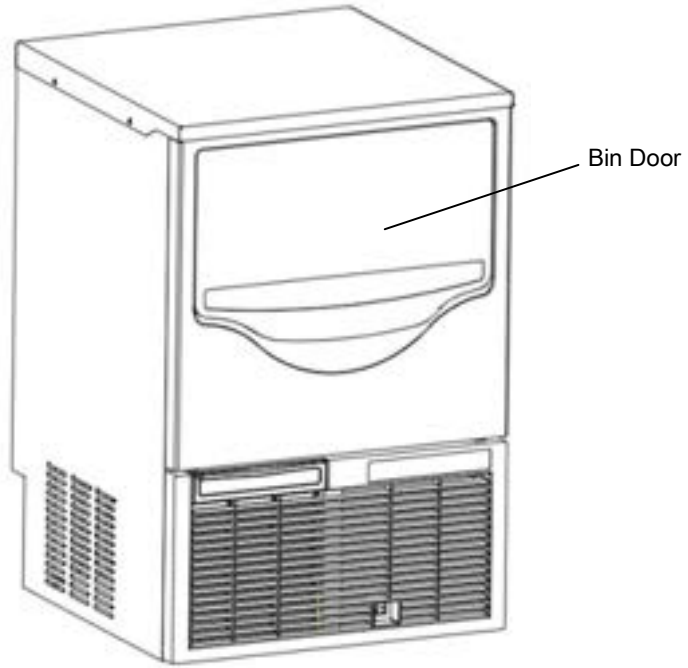
NOTICE

Remove shipping carton, tape(s) and other packing. If the packing material is left in the ice maker, it will not work properly.

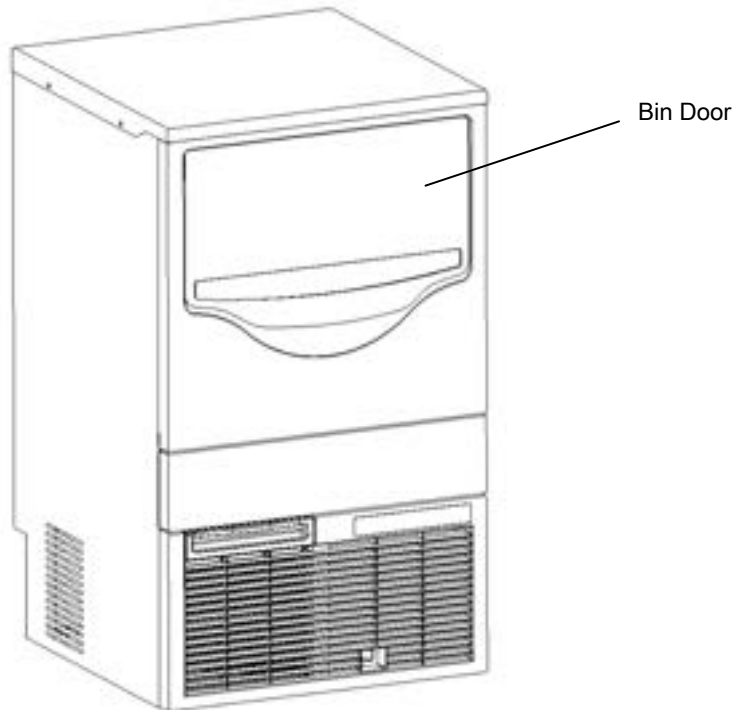
- 1) After removing packing, make sure that the icemaker is in good condition. If in doubt, please do not use the icemaker, but apply to professionally qualified personnel.
- 2) Remove the shipping tape holding the door and front panel.
- 3) Remove the protective film from the exterior. If the icemaker is exposed to the sun or to heat, remove the film after the icemaker cools.
- 4) Remove the shipping tape holding accessories by opening the door.
- 5) Remove the package of accessories. Check the contents according to "2.ACCESSORIES".



[SRM-45A]



[SRM-60/80A]



[SRM-105/125A]

4. LOCATION

▲ WARNING

- This ice maker is not intended for outdoor use.
- This ice maker should not be located next to ovens, grills or other high heat producing equipment.
- This appliance is not suitable for installation in an area where a water jet could be used.

▲ CAUTION

- The location should provide a firm and level foundation for the icemaker.

NOTICE

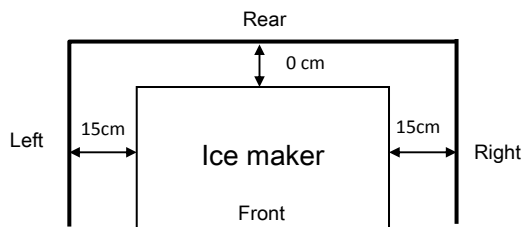
- Do not place anything on top of the icemaker or in front of louver.

IMPORTANT

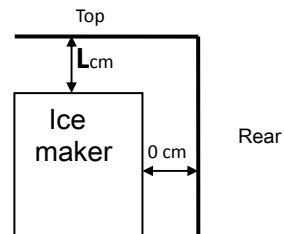
Normal operating ambient temperature should be within 5°C to 38°C. Normal operating water temperature should be within 5°C to 32°C. Operation of the icemaker, for extended periods, outside these normal temperature ranges may affect production capacity and life.

Allow the clearance specified below for proper air circulation and ease of maintenance and/or service should they be required.

Top View



Side View



【NOTE: SRM-45A:L=1cm; SRM-60/80/105/125A: L=15cm.】

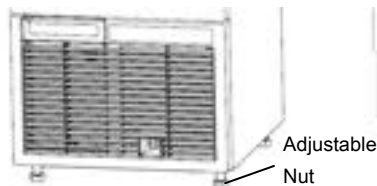
In some high humidity environments, condensation may form inside the machine and drip onto the floor. Do not install where the floor can be affected by water.

5. INSTALLATION

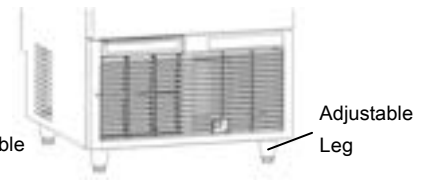
▲ CAUTION

Incorrect installation can cause harm to people, animals or other items, for which the manufacturer cannot be held responsible.

- * Place the icemaker in selected permanent site.
- * When attaching the adjustable legs / nuts (accessory), level the unit in both the left-to-right and front-to-rear directions



[SRM-45A]



[SRM-60/80/105/125A]

6. ELECTRICAL CONNECTIONS

▲ WARNING

THIS APPLIANCE MUST BE EARTHED

This icemaker requires an earth that meets the national and local electrical code requirements. To prevent possible severe electrical shock to individuals or extensive damage to the unit, install a proper earth wire to the icemaker.

Disconnect the main power supply before any maintenance, repairs or cleaning is undertaken.

- * This series of icemaker require a separate power supply (220VAC/10A). The electrical supply must be protected by a suitable circuit breaker.
- * The main control box fuse is rated at 5A and should be replaced by a qualified service engineer.

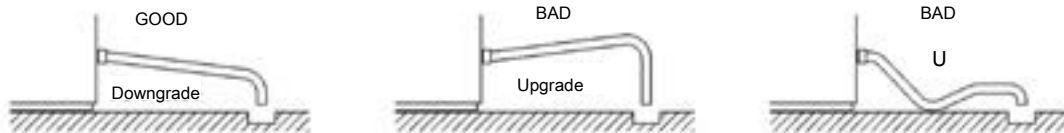
- * Usually an electrical permit and services of a licensed electrician are required.
- * If the power cord is damaged, it must be replaced by a replacement cord available from Manufacturer's Parts/Service centres.

7. WATER SUPPLY AND DRAIN CONNECTIONS

▲ WARNING

Connect to potable water supply only.

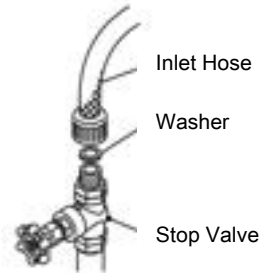
- * The connection to the main water supply must be made in accordance with the countries' current requirements of the Water Supply or Water Fittings Regulations.
- * Icemaking water must be potable water. Where scaling can be caused by water quality:
 - Installation of an external filter or softener is recommended. **Contact your local water treatment professional or the manufacturer's agency.**
 - Multistage filtering or deionized filtering may result in the product's failure to work properly. (The reference value of water conductivity $\geq 20\mu\text{S/cm}$)**
- * Water supply pressure should be within 0.07MPa (0.7bar) to 0.55MPa (5.5bar) . If the pressure exceeds 0.55MPa (5.5bar), use a proper pressure reducing valve. Do NOT throttle back the supply tap.
- * A plumbing permit and services of a licensed plumber may be required in some areas.
- * The icemaker drain is gravity flow, so ensure drain pipe has an adequate pitch or fall.
- * Drain line should not be piped directly to the sewer system. A vertical air gap of minimum of 5cm should be between the end of the drain pipes from the icemaker and the floor drain.
- * To prevent a backflow into the storage bin, the outlet hose must be laid as shown.



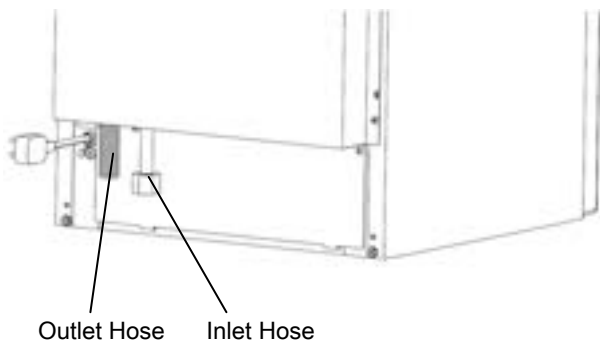
- * Be sure to use the new hose-sets supplied with the appliance. Do not reuse any old hose-sets.

1) Attach the free end of inlet hose to the stop valve, noting washer is correctly positioned. Hand tighten sufficiently to provide leak free joint. It is a wise precaution to have the stop valve within easy reach.

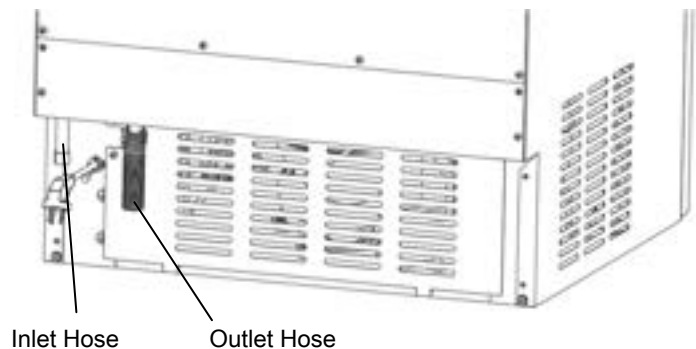
2) The outlet hose can be cut to appropriate length according to the position of the main drain nozzle. To prevent condensation, it can be coated some insulation pipe out of drain pipe.



Note: Jointing compounds should be approved and suitable for potable water use.



[SRM-45A]

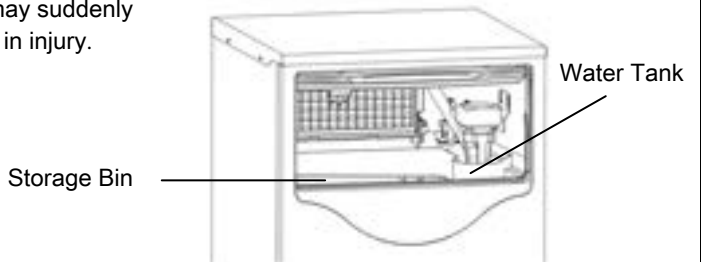


[SRM-60/80/105/125A]

II. OPERATING INSTRUCTIONS.

▲ CAUTION

Do not put your hand into the back of the storage bin or the right side pump.
The ice on the evaporator may drop off, a hard block of ice may suddenly break down, or pump motor may suddenly start-up, resulting in injury.



NOTICE

All parts are factory-adjusted. Improper adjustments may result in failure.

If the unit is turned off, wait for at least 3 minutes before restarting the icemaker to prevent damage to the compressor.

▲ HYGIENE

This icemaker is designed to produce edible ice. To keep the icemaker hygienic:

- * Wash your hands before removing ice. Use the plastic scoop provided (accessory).
- * The storage bin is for ice use only. Do not store anything else in the bin, nor use other electrical appliances in the bin.
- * Clean the storage bin before use (see "III.1. CLEANING").
- * Keep the scoop clean. Clean it by using neutral cleaner and rinse thoroughly.
- * Close the door after removing ice to prevent entrance of dirt, dust or insects into the storage bin.

1. START UP

The installer will normally commission the icemaker to start the automatic icemaking process. To ensure continuous operation, make sure that:

- * The water supply tap is on.
- * The icemaker is connected to the power supply.

2. PREPARING THE ICEMAKER FOR LONG STORAGE

NOTICE

This icemaker will not work at subfreezing temperatures. To prevent damage to the water supply line, drain the icemaker when air temperature is below zero.

▲ HYGIENE

When shutting down the icemaker for two or more days, drain the icemaker to prevent contamination in the water circuit.

- 1) Unplug the icemaker or disconnect the power supply.
- 2) Close the water supply tap, and remove the inlet hose.
- 3) Remove all ice from the storage bin, and clean the bin.
- 4) Ask for draining of the icemaker by professional qualified personnel.

III. MAINTENANCE

1. CLEANING

▲ WARNING
Before carrying out any cleaning or maintenance operations, unplug the icemaker from the electrical supply network.
This appliance must not be cleaned by use of a water jet.

▲ CAUTION
When using a neutral cleaner or sodium hypochlorite, thoroughly read and understand the instructions provided to prevent potential health problems.

NOTICE
Ask a trained service person to clean and sanitize the icemaker water system at least twice a year and to check and clean the condenser at least once a year.
To prevent possible damage, do not clean the plastic parts with water above 40°C or in a dishwasher.

[a]Machine and Bin Exterior

Wipe the exterior at least once per week with a clean, soft cloth. Use a damp cloth containing a neutral cleaner to wipe off grease or dirt.

Notice
Do not use hard brushes, wire brushes, nor detergents, gasoline, banana oil, acetone and other organic solvents. Do not use boiling water or acid and alkali cleaners to clean the machine.
Do not rinse with water spray when cleaning, so as not to affect the insulation of electrical appliances.

[b]Scoop cleaning/Sanitisation (Daily)

Step 1: Either mix 1 L of water with 4mL of 5.25% sodium hypochlorite solution in a suitable container, or the recommended manufacturer sanitizer as directed.

Step 2: Soak the scoop in the solution for more than 3 minutes. Rinse thoroughly, and shake to remove surplus liquid.

Note: Using a cloth to dry may re-contaminate.

[c]Storage Bin Interior Cleaning/Sanitisation (weekly)

Note: Because of the different water quality in various regions, some areas may need to be cleaned and sterilized more frequently.

(1) Cleaning

Step 1: After the ice removal cycle and all ice totally dropped, disconnect the power supply and cut off the water supply. Open the door, remove the top panel and rear panel, and remove all ice.

NOTICE
To prevent damage the evaporator, the ice on the evaporator cannot be stripped by tools.
To protect the plastic parts, no alcohol-containing liquid can be used to clean or sterilize the icemaker.

Step 2: Open the drain outlet, empty the water in the water tank and water circuit, and then remove the inlet hose, the pump connection tube and the overflow hose in the ice storage bin.

Step 3: According to the steps of diagram remove the ice thickness sensor, water spray tube and overflow hose, pump motor, bin switch, water tank and so on.

Step 4: Use soft brush soaked in a neutral detergent, sponge or clean cloth to carefully clean the surface of the dismantled parts (the water pipes/tubes/hoses include the inner surface). Then clean them with clean water.

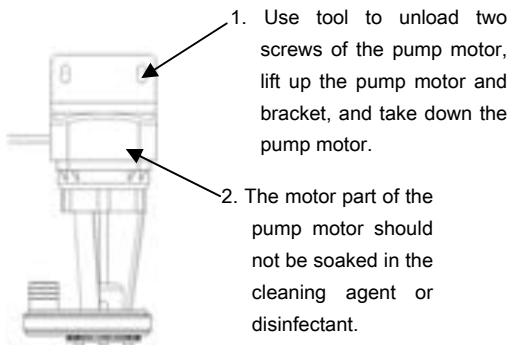
Note: During cleaning water spray tube, the inner tube must be removed. Water spray tube must be cleaned with a soft brush dipped in a neutral detergent, cleaning cloth or sponge, and then rinsed with water.

Because evaporator can't be removed, use the soft brush, sponge or clean cloth soaked by the neutral detergent to clean it carefully.

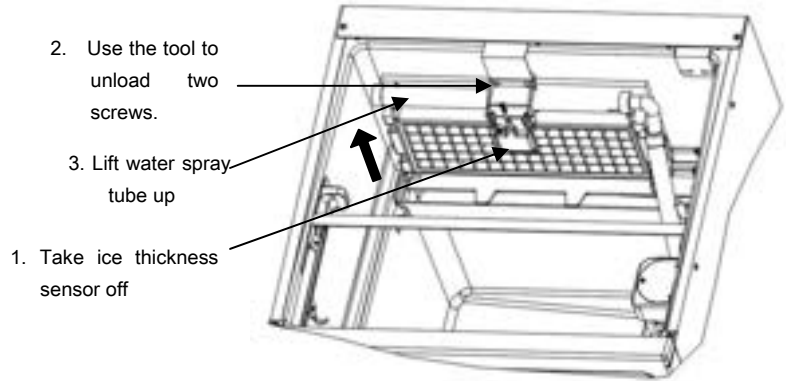
For the pump motor and the ice thickness sensor and other parts, only the water circuit parts can be cleaned. All the electrical parts cannot be immersed in the cleaning agent. Please avoid it carefully.

Cleaning agents must be the food class or a cleanser recommended by the manufacturer.

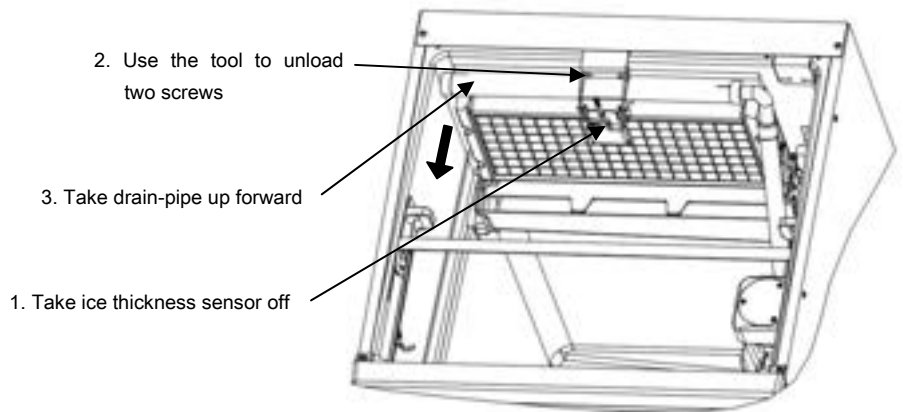
Some solutions may damage the inner surface of the storage bin or corrode the metal parts. Cleaning liquid must be cleaned at any time unless otherwise specified by the manufacturer.



Pump motor disassembly steps

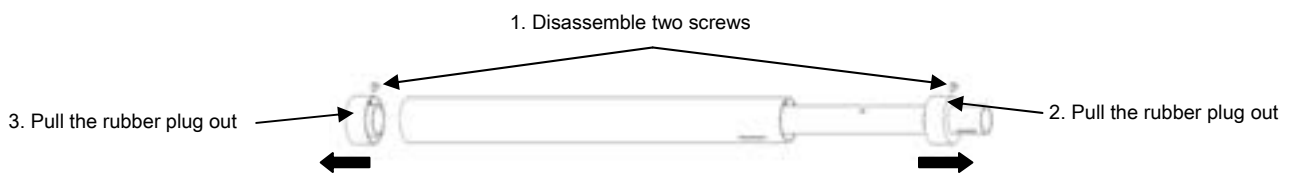


[SRM-45/60/80A]

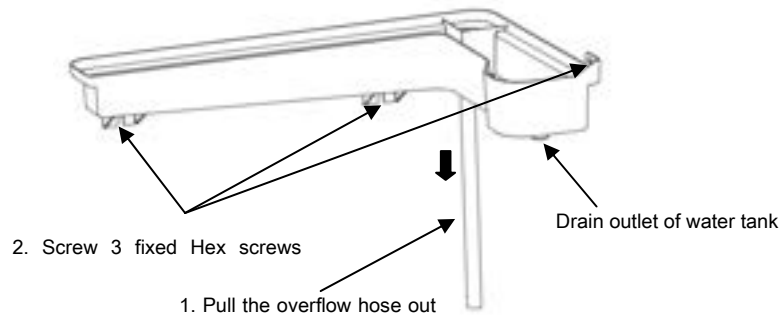


[SRM-105/125A]

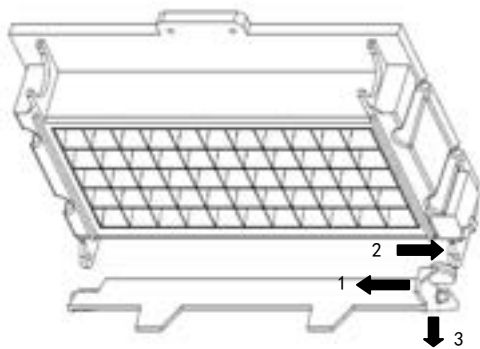
Disassembly steps of ice thickness sensor and water spray tube



Disassembly steps of water spray tube



Disassembly steps of water tank



Disassembly steps of ice guide

1. Catch the left side of ice guide.
2. Press the right side of ice guide bracket.
3. Pull ice guide body forward until it is pulled out from the hole on the left side.

【NOTE: If no special instructions, all contents are suitable to SRM-45/60/80/105/125A】

(2) Disinfection

Step 5: Pure 3 liters of water into one suitable container, mix it with 11 mL concentration of 5.25% sodium hypochlorite solution or a disinfectant recommended by the manufacturer. Immerse the removed parts (ice thickness sensor, water spray tube and overflow hose, pump motor, bin switch, water tank, etc.) in disinfection liquid about 3 minutes.

Note: When the pump motor is sterilized, the electrical components cannot be immersed in the disinfectant. Do not sterilize bin switch, ice thickness sensor.

Step 6: Use a clean sponge or cloth soaked in a solution to wipe inner of bin and door.

Step 7: After the disinfection, rinse thoroughly with clean water to make sure that there is no residual disinfectant.

Step 8: Install the dismantled parts according to the reverse order of disassembly, finally close door and restore the water supply and power supply.

Note: **When only water tank to clean, just dismantle water tank and overflow hose to be cleaned.**

[d] Air Filter and Condenser

Plastic mesh air filters removed dirt or dust from the air, and keep the condenser from getting clogged. If the filters get clogged, the icemaker's performance will be reduced. Remove and clean the air filters at least twice per month.

Step 1: Slide the air filter off the louver.

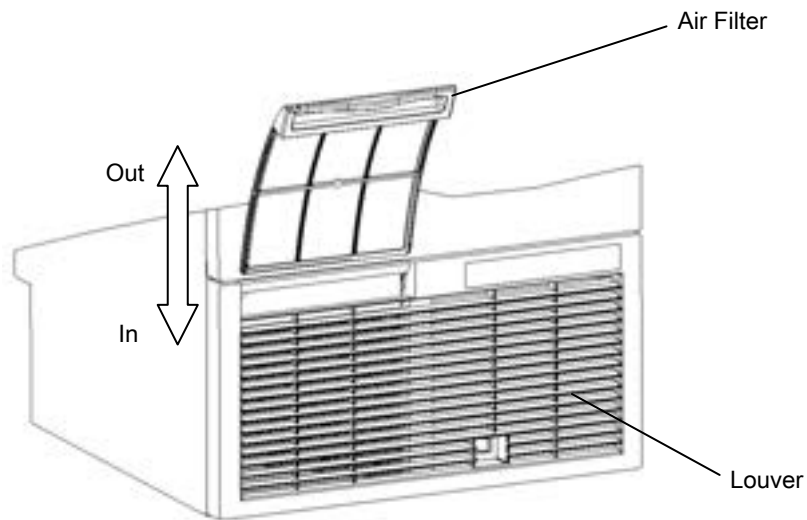
Step 2: Clean the air filter by using a vacuum cleaner. When severely clogged, use warm water and a neutral cleaner to wash the air filter.

Step 3: Rinse and dry air filter thoroughly.

Step 4: The condenser of the air-cooled icemaker normally is cleaned once or twice per year. Use a soft brush or a vacuum cleaner with brush to scrub the fin of the condenser in the direction of the fins, to prevent damage the condenser's fin and affect the icemaking.

NOTICE

After cleaning, be sure to install the air filter back to the original place.



[SRM-45/60/80/105/125A]

2. PRECAUTIONS

1. The icemaker will have a larger "buzzing" sound when it begins to run because the operation is not stable at first time of powering-on or start. The sound will be reduced after stable.
2. It is normal that the temperature of compressor case is very high after the icemaker works for a long time.
3. The sound of compressor and the "clicking" sound of the compressor and the solenoid valve when icemaker turns on or off are normal phenomenon.
4. It is normal that the icemaking cycle becomes longer and the icemaking efficiency decreases when the air temperature is high.
5. The power consumption value on the nameplate is calibrated according to the national standard in the laboratory environment. When the ambient temperature and water temperature are higher (such as summer air temperature and water temperature are higher), it is normal that the real consumption is higher than the value on the nameplate.
6. **Contact the servicers to adjust the ice thickness sensor.**

3. FAULT AND TREATMENT

Please operate the machine according to the instructions. If there are any exceptions, please check the follow table firstly. If it cannot be solved, please contact the authorized distributor or maintenance agency of our company in time. So as not to cause a loss to you.

Fault	Probable Cause	Processing method
No icemaking	The power switch is not allocated to the "icemaking" position.	Switch the power switch.
	The connector of the power cord is loose.	Fasten the power cord connector.
	The voltage is too high or too low.	Check and use the proposed voltage.
	The plug is not plugged.	Plug in the plug.
	The icemaker starts when storage bin is full	Take out the ice.
	When the water supply is closed	Check and connect to normal water pressure. Open the water valve to check the water intake.
	The filter of inlet hose or the inlet month is blocked.	Clean the filter net of the inlet hose.
	The sewerage stopper in the tank did not plug.	Plug the rubber plug of drain outlet.
Evaporator freezing	The evaporator is dirty.	Clean the evaporator.
	The ice is too thick.	Adjust the length of the screw of the ice thickness sensor.
	The icemaker was not leveled.	Put the icemaker level.
	The water supply system is dirty.	Clean the water supply circuit.
	The filter of water supply valve or the entrance of the inlet hose is blocked.	Clean up the entrance of the water supply valve and inlet hose
Ice maker cannot remove ice.	The ambient temperature or water temperature is too low.	Raise the temperature.
	Ice thickness sensor is dirty	Clean the ice thickness sensor
	Ice thickness sensor wire did not access control board.	Connect the wire.
Bad quality of the ice (not strong or not clean).	Ice thickness sensor is to be adjusted.	Adjust the ice thickness sensor.
	Bad water quality	Replace the purification and water treatment device.
The ice is sunken or incomplete, or the ice on the upper layer of the evaporator is incomplete.	The evaporator is dirty.	Clean the evaporator.
	The ice thickness has not been adjusted well.	Adjust the ice thickness sensor.
	The water level in the tank is too high or too low.	Check the water level sensor.
	The water pressure does not meet the requirements.	The water pressure range is between 0.07 ~ 0.55MPa.
	There is oil on the evaporator.	Scrubbing evaporator with a non - oily material cloth.
Low ice production	The ice maker has not been leveled.	Put the ice maker flat.
	The air filter or the condenser is blocked.	Clean air filters or condensers.
	The ambient temperature or water temperature is too high.	Adjust the ambient temperature and water temperature.
	The water pressure is too high or too low.	The water pressure range is between 0.07 ~ 0.55MPa.
	The gap of ice thickness is too large or too small.	Adjust the ice thickness sensor.
Ice shape anomaly	The ice guide and the water tank are misplaced, and the water flow in the icemaker is serious.	Check whether the ice guide is properly installed in the water tank, and the water tank is firmly fixed in the storage bin of icemaker.
	The water spray tube is dirty.	Clean the water spray tube.
	The evaporator is dirty.	Clean the evaporator.
	Water is too hard or contains impurities.	Install water cleaner.
Excess noise level.	Place unstably.	Put the ice maker flat.
	The icemaker contacts with other objects.	Avoid the icemaker contacts with other objects.
The melting speed of the ice in the storage bin is too fast	The drain system of icemaker is blocked.	Clean up the drain system.
External contains condensate	The door is not closed.	Close door completely.

4. BEFORE CALLING FOR SERVICE

▲ WARNING
Do not damage the refrigerant circuit

If the icemaker dose not work properly or dose not work at all, before calling for service, check that:

- * The power is supplied to the unit.
- * The water is turned on.
- * The air filter is clean.

For further assistance or advice, contact the local manufacturer's Maintenance Agency.

5. DISPOSAL

Comply with local regulations regarding disposal of this appliance and its refrigerant gas. Before you scrap the appliance, take off the door to prevent children trapped.

IMPORTANT



The insulation foaming agent used for the unit body contains a flammable gas cyclopentane. With this in mind, dispose of the product properly.

6. WARRANTY

The manufacturer warrants to the original owner / user that all products of the manufacturer's brand shall be free of defects in material and / or workmanship for the duration of the "warranty period" . The warranty shall be effective for one year from the date of installation.

The manufacturer liability under the terms of this warranty are limited and shall exclude routine servicing, cleaning, essential maintenance and/or repairs occasioned by misuse and installations not in accordance with manufacturer guidelines.

Warranty repair should be completed by an approved manufacturer dealer or service agency using genuine manufacturer components.

To obtain full details of your warranty and the approved service agency, please contact your dealer / supplier or the nearest manufacturer's service office.

Repair Hotline: 400-720-6910

E-mail: service@hoshizaki.com.cn

SPECIFICATION

Model	SRM-45A	SRM-60A	SRM-80A	SRM-105A	SRM-125A
Type	Air-cooled, rhombic ice cube	Air-cooled, rhombic ice cube	Air-cooled, rhombic ice cube	Air-cooled, rhombic ice cube	Air-cooled, rhombic ice cube
Power Supply	1 phase 220 ~ 240V 50Hz	1 phase 220 ~ 240V 50Hz	1 phase 220 ~ 240V 50Hz	1 phase 220 ~ 240V 50Hz	1 phase 220 ~ 240V 50Hz
Electrical Consumption	305W	370W	450W	480W	590W
Ice Production Per 24h	46kg (ambient 10°C , water 10°C)	65kg (ambient 10°C , water 10°C)	80kg (ambient 10°C , water 10°C)	106kg (ambient 10°C water 10°C)	125kg (ambient 10°C water 10°C)
Dimensions	500mm (W)×580mm (D)×750mm (H)	660mm (W)×670mm (D)×1050mm (H)	660mm (W)×670mm (D)×1050mm (H)	660mm (W)×670mm (D)×1200mm (H)	660mm (W)×670mm (D)×1200mm (H)
Refrigerant	R134a,160g	R134a, 220g	R404A,230g	R404A,290g	R404A,350g
Weight	Net weight: 36 kg	Net weight: 58 kg	Net weight: 56.5 kg	Net weight: 61 kg	Net weight: 64.5 kg
Ambient Temp	5 ~ 38°C	5 ~ 38°C	5 ~ 38°C	5 ~ 38°C	5 ~ 38°C
Water Supply Temp	5 ~ 32°C	5 ~ 32°C	5 ~ 32°C	5 ~ 32°C	5 ~ 32°C
Water Supply Pressure	0.07 ~ 0.55MPa (0.7 ~ 5.5bar)	0.07 ~ 0.55MPa (0.7 ~ 5.5bar)	0.07 ~ 0.55MPa (0.7 ~ 5.5bar)	0.07 ~ 0.55MPa (0.7 ~ 5.5bar)	0.07 ~ 0.55MPa (0.7 ~ 5.5bar)
Voltage Range	198 ~ 254V	198 ~ 254V	198 ~ 254V	198 ~ 254V	198 ~ 254V

Note: The above specifications are for the representative models

Hoshizaki Singapore
TEL: +65 6225 2612
FAX: +65 6225 3219
sales@hoshizaki.com.sg(Sales)
serviceadmin@hoshizaki.com.sg(Technical support)

Hoshizaki Indonesia
TEL: +62 21 2937 5551/2
FAX: +62 21 2937 5553
sales@hoshizaki.co.id(Sales)
service@hoshizaki.co.id(Technical support)

Hoshizaki Thailand
TEL: +66 2 005 9980
FAX: +66 2 516 2646
info@hoshizaki.co.th
Line: @hoshizakithailand
<https://www.facebook.com/HoshizakiThailand>

Hoshizaki Vietnam
TEL: +84 28 5417 3853
sales@hoshizaki.com.vn(Sales)
service@hoshizaki.com.vn(technical support)

Hoshizaki Malaysia
TEL: +60 3 8023 5823
FAX: +60 3 8024 1823
sales@hoshizaki.com.my

Hoshizaki Philippines
TEL: +63 2 8839 2861
sales@hoshizaki.com.ph

Hoshizaki Taiwan
TEL: +886 2 2706 8818
FAX: +886 2 2708 7999

Hoshizaki Hong Kong
TEL: +852 2866 2108
FAX: +852 2866 2109

Manufacturer : **HOSHIZAKI CHINA CORPORATION**
NO.15 Qingqiu Street, Suzhou Industrial Park, Suzhou 215126 China
TEL:+86 512 62807850
FAX:+86 512 62807860