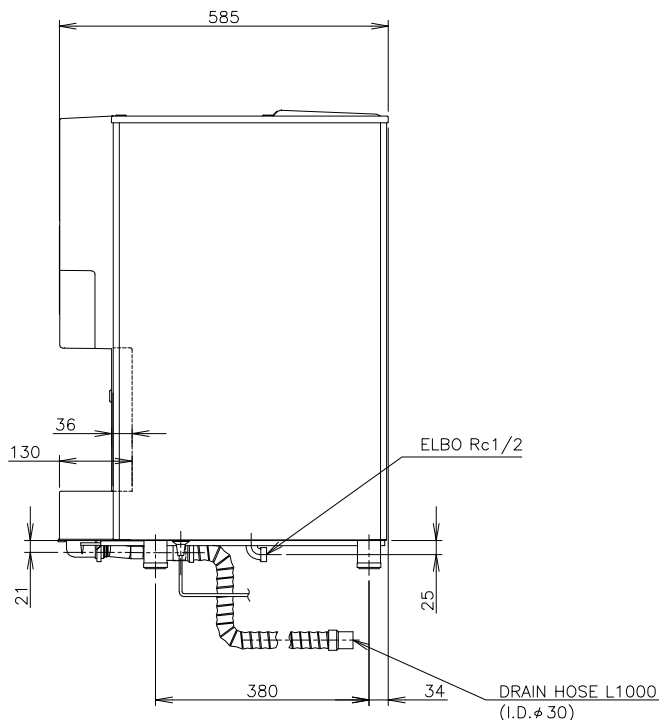
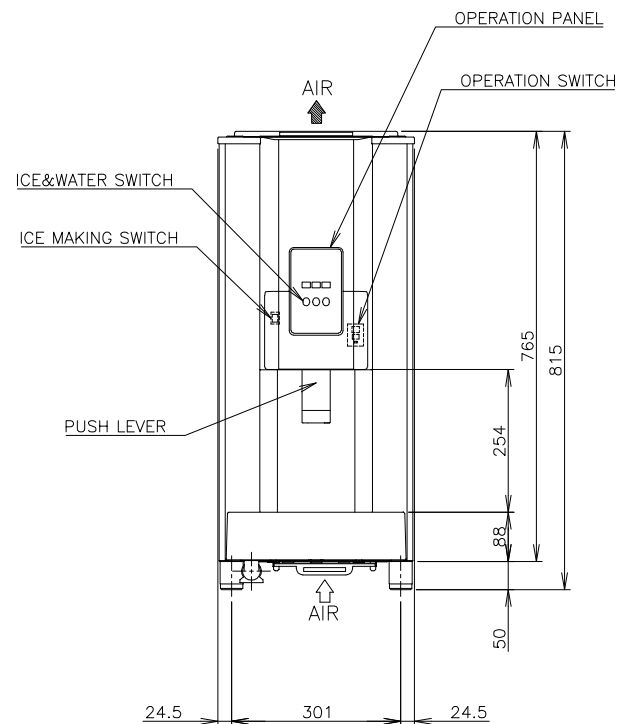


1. Install the ice maker properly in accordance with the instructions on location, water supply/drain connections and electrical connections stated in the instruction and installation manuals provided.
2. The ice production depends on the ambient and water temperatures. Refer to the instruction manual.
3. The amperage and electric consumption are based on measurements with the ice dispensing solenoid off.
4. Product Code: L040-C002. L040-C003  
L040-C121. L040-C122  
L040-C471



ITEM	HOSHIZAKI CHIP ICE DISPENSER
MODEL	DCM-120LS-HC
POWER SUPPLY	1 Phase 220-240/220-230V 50Hz Capacity: 0.69kVA (3.0A)
AMPERAGE	2.4A Starting: 9.7A
ELECTRIC CONSUMPTION	391W (Power Factor: 72%)
ICE PRODUCTION PER 24h	Approx. 120kg (AT. 10℃, WT. 10℃) Approx. 110kg (AT. 21℃, WT. 15℃) Approx. 90kg (AT. 32℃, WT. 21℃)
SHAPE OF ICE	Cubelet (Compressed Flake Ice)
STORAGE CAPACITY	Approx. 4.0kg
ICE DISPENSING RATE (40g/CUP)	Approx. 162cups/30min (AT. 10℃, WT. 10℃) Approx. 225cups/1hour (AT. 10℃, WT. 10℃) Approx. 157cups/30min (AT. 21℃, WT. 15℃) Approx. 214cups/1hour (AT. 21℃, WT. 15℃) Approx. 146cups/30min (AT. 32℃, WT. 21℃) Approx. 193cups/1hour (AT. 32℃, WT. 21℃)
WATER CONSUMPTION PER 24h	Approx. 0.12m <sup>3</sup> (AT. 10℃, WT. 10℃) Approx. 0.11m <sup>3</sup> (AT. 21℃, WT. 15℃) Approx. 0.09m <sup>3</sup> (AT. 32℃, WT. 21℃)
OUTSIDE DIMENSIONS	350mm(W)×585mm(D)×815(≈830)mm(H)
INSULATION FOAM BLOWING AGENT	HFO-1233zd
HEAT REJECTION	760W (AT. 32℃, WT. 21℃)
EXTERIOR	Stainless Steel (Side, Rear) ABS Molding (Front, Top, Drain Pan)
ICE MAKING SYSTEM	Thin ice forming inside Cylinder
CONNECTIONS-ELECTRIC	Y-Type Connection
CONNECTIONS-WATER SUPPLY	Direct Connection to Water Main, Inlet Rc1/2 (Bottom)
CONNECTIONS-DRAIN	Drain Hose, I.D. φ 30mm (Bottom)
HARVESTING SYSTEM	Direct driven Auger
ICE DISPENSING SYSTEM	Push Lever and Solenoid (with Select Switch) Portion control by Dispense Switch
WATER DISPENSING SYSTEM	Push Lever and Water Valve (with Select Switch)
COMPRESSOR	Hermetic
CONDENSER	PFC Type, Air-cooled
EVAPORATOR	Tube coiled around Cylinder (Solder Plated)
REFRIGERANT	R290
BIN CONTROL	Mechanical Bin Control (Time Delay Controlled)
ICE MAKING WATER CONTROL	Float Switch and Water Valve
ELECTRICAL CIRCUIT PROTECTION	10A Circuit Breaker
REFRIGERANT CIRCUIT PROTECTION	Compressor Internal Thermostat Condensing Temperature detected by Thermistor (Auto-reset)
INTERLOCK	Shutdown by Microprocessor (Manual-reset)
WEIGHT	44kg (Gross: 48kg)
PACKAGE	Carton 400mm(W)×641mm(D)×872mm(H)
ACCESSORIES	Installation Kit, Brush, Elbo
OPERATING CONDITION	Ambient Temp.: 5-40° C, Water Supply Temp.: 5-35℃ Water Supply Pressure: 0.05-0.78MPa Voltage Range: Rated Voltage ±6%

\*We reserve the right to make changes in specifications and design without prior notice.

# HOSHIZAKI CHIP ICE DISPENSER DCM-120LS-HC

APPROVED TORIHATA	CHECKED TORIHATA	DESIGNED GE	DRAWN GE	SCALE 1/10	TRIGONOMETRY
APPROVED	DESIGNED	SYMBOL	DATE 2024.08.02	DRAWING NO. D39733	SYMBOL